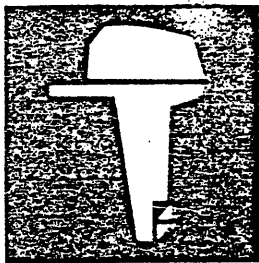


YAMAHA

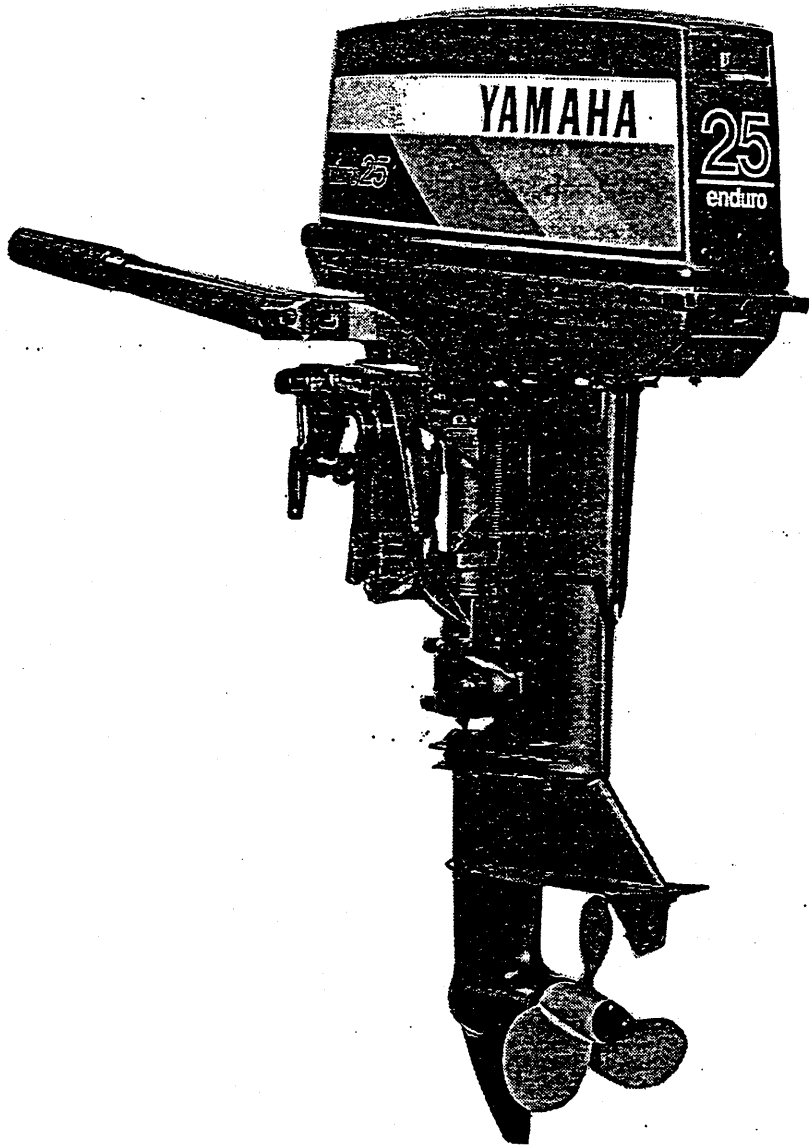
parts catalogue



outboard
motor

W-25

(6GO)



FOREWORD

This Parts Catalogue is related to the parts in use for the Yamaha outboard motor ^{W-25} ~~E-25F-87~~ (6G0). When you are ordering replacement parts for the ^{W-25} ~~E-25F-87~~ (6G0), refer to this Parts Catalogue and quote both part numbers and part names correctly.

1. Modifications or additions which have been made after issue of the Parts Catalogue will be announced in the Yamaha Parts News.

It is advisable that according to the Yamaha Parts News you make necessary corrections to the Parts Catalogue on hand to keep it up-to-date.

2. Abbreviations

The following abbreviations are used in this Parts Catalogue.

- U. R. Use size (thickness) and/or number as required.
- U. N. Use as many as you need.
- A. P. Alternate Parts
- S. T. D. Standard
- O. S. Over Size

3. Parts, which are to be supplied in the form of assemblies, are listed with an indentation of one letter's space, and a dot (.) is put against the name of each part.

EXAMPLE

CARBURETOR ASS'Y

. JET, pilot

. NOZZLE, main

4. Indication of No. of constituent parts for assembly.

The numeral appearing to the right of each constituent part under the description indicates the quantity of such parts for each individual assembly unit.

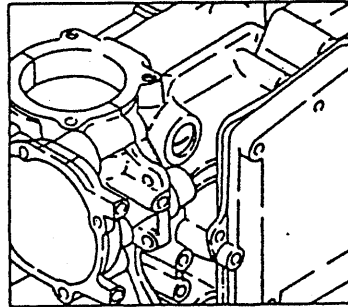
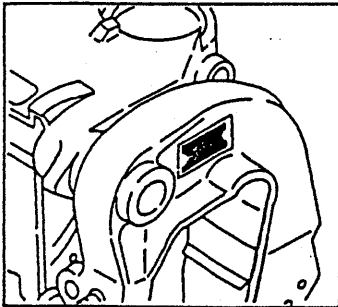
EXAMPLE

Part No.	Description	Q'ty	Remarks
6E0-85500-70	C.D.I. MAGNETO ASS'Y	1	
6E0-85550-70	. ROTOR ASS'Y	1	
6E0-15723-00-94	.. PULLEY, starter	1	

FOREWORD

5. Initial Serial No. and Color Code

Engine Serial No.	^{W-30} ⁰³⁴⁰⁶¹ E-25F S:036496 and following ³⁶⁶⁷²⁴ ⁶⁰⁰⁸⁵⁰ L:362611 and following LL:600828 and following
-------------------	--



Color Code	Color Name	Abbreviate
EJ KA	METALLIC MARINE BLUE MARINER LIGHT GRAY	MMB MLG

CONTENTS

Fig. 1	CRANKCASE & CYLINDER	1
Fig. 2	CRANK & PISTON	3
Fig. 3	INTAKE	5
Fig. 4	CARBURETOR (C.D.I. TYPE)	7
Fig. 5	CARBURETOR (POINT TYPE)	9
Fig. 6	STARTER (C.D.I. TYPE)	11
Fig. 7	STARTER (POINT TYPE)	13
Fig. 8	FUEL	15
Fig. 9	TOP COWLING	17
Fig. 10	BOTTOM COWLING	19
Fig. 11	BRACKET	21
Fig. 12	STEERING	23
Fig. 13	CONTROL (C.D.I. TYPE)	25
Fig. 14	CONTROL (POINT TYPE)	27
Fig. 15	UPPER CASING	29
Fig. 16	LOWER & DRIVE 1	31
Fig. 17	LOWER & DRIVE 2	33
Fig. 18	C.D.I. MAGNETO (C.D.I. TYPE)	35
Fig. 19	FLYWHEEL MAGNETO (POINT TYPE)	37
Fig. 20	ELECTRIC PARTS (C.D.I. TYPE)	39
Fig. 21	ELECTRIC PARTS (POINT TYPE)	41
Fig. 22	REMOTE CONTROL	43
Fig. 23	REMOTE CONTROL ASS'Y	45
Fig. 24	STEERING GUIDE ATTACHMENT	47
Fig. 25	OPTIONAL PARTS 1	49
Fig. 26	OPTIONAL PARTS 2	51
Fig. 27	REPAIR KIT	53
	NUMERICAL INDEX	

Fig. 1 CRANKCASE & CYLINDER

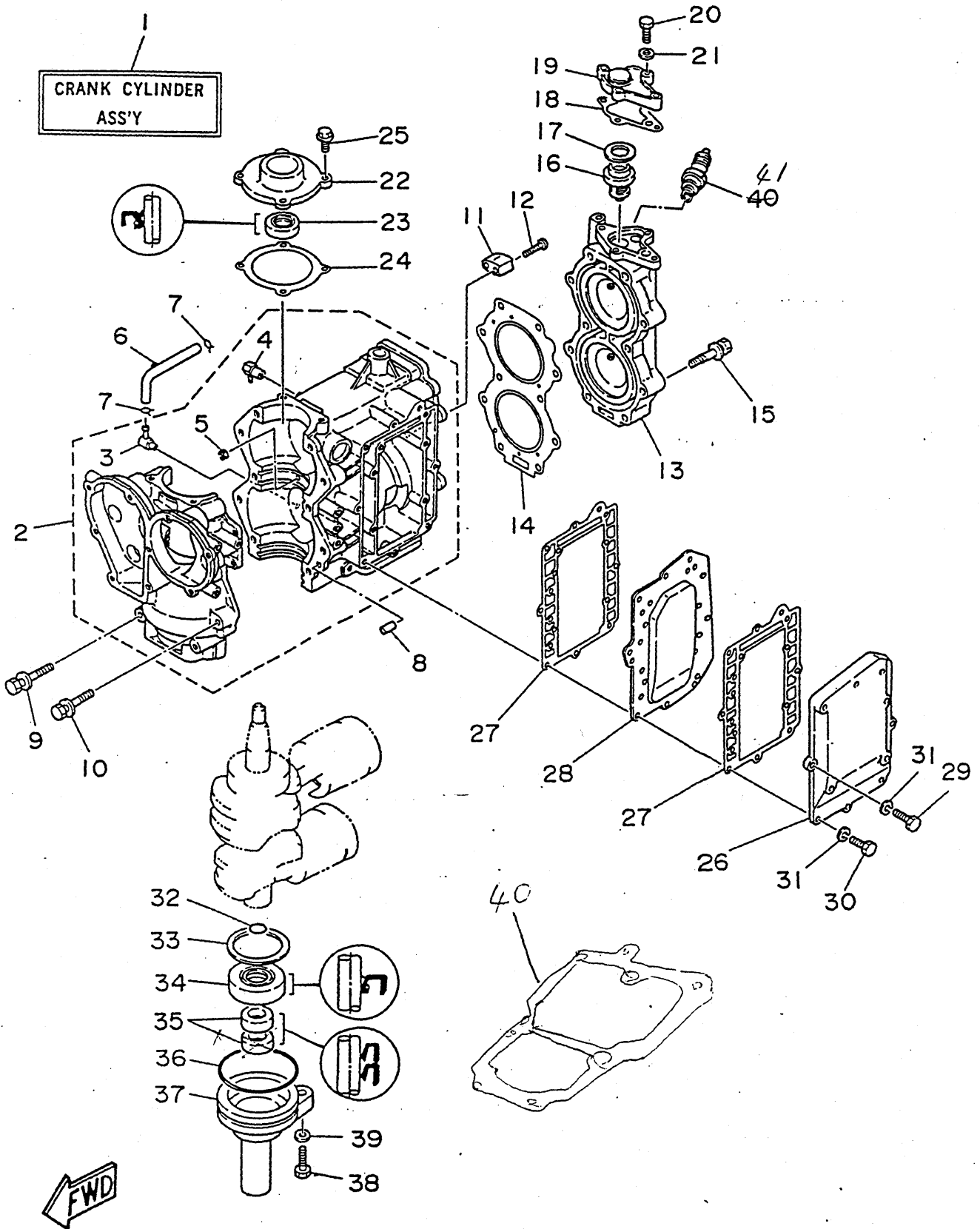


Fig. 1 CRANKCASE & CYLINDER

Ref.No.	Parts No.	Description	Q'ty	Ref.No.	Parts No.	Description	Q'ty
1	660-W0090- 61-EJ ^{62-KA}	CRANK CYLINDER ASS'Y (Ref. No. 2 to 39 ⁴⁰ and Fig. 2, Ref. No. 1 to 19)	1	21	92990-06600	WASHER	4
2	660-15100-60-94	CRANK CASE ASS'Y	1	22	660-15359-00-94	HOUSING, oil seal	1
3	650-14485-02	PIPE, joint	1	23	93102-23096	OIL SEAL	1
4	650-11370-00	CHECK VALVE ASS'Y	1	24	648-15369-00	GASKET, oil seal housing	1
5	624-11379-00	VALVE, check 1	1	25	90105-06M09	BOLT	4
6	90445-07M08	HOSE	1	26	660-41113-00-9M	OUTER COVER, exhaust	1
7	90467-06016	CLIP	2	27	660-41114-00	GASKET, exhaust outer cover	2
8	93606-12019	PIN, dowel B	2	28	660-41111-00	INNER COVER, exhaust	1
9	90119-08M20	BOLT, with washer	8	29	97395-06030	BOLT	10
10	90119-08M18	BOLT, with washer	2	30	97395-06025	BOLT	3
11	656-11325-01	ANODE	1	31	92990-06600	WASHER	13
12	90150-04008	SCREW, special	2	32	93210-14167	O-RING	1
13	660-11111-00-94	HEAD, cylinder	1	33	90201-50306	WASHER	1
14	694-11181-00	GASKET, cylinder head	1	34	93101-25M35	OIL SEAL	1
15	90119-08M18	BOLT, with washer	10	35	93104-11M37	OIL SEAL	2
16	6F5-12411-01	THERMOSTAT	1 AP		↳ 93101-13M37		1
17	90201-21567	WASHER	1 AP	36	93210-57M09	O-RING	1
18	648-12414-01	GASKET, cover	1	37	694-15396- 00 ⁰¹ -9M	HOUSING, oil seal 2	1
19	656-12413-01-9M	COVER, thermostat	1	38	97395- 66025 ⁶⁶⁰²²	BOLT	1
20	97313-06020	BOLT	4	39	92990-06600	WASHER	1
				41-40	94701-00040	PLUG, spark (B7HS) NGK	2
					40 656-45113-00	GASKET, UPPER CASING	1

Fig. 2 CRANK & PISTON

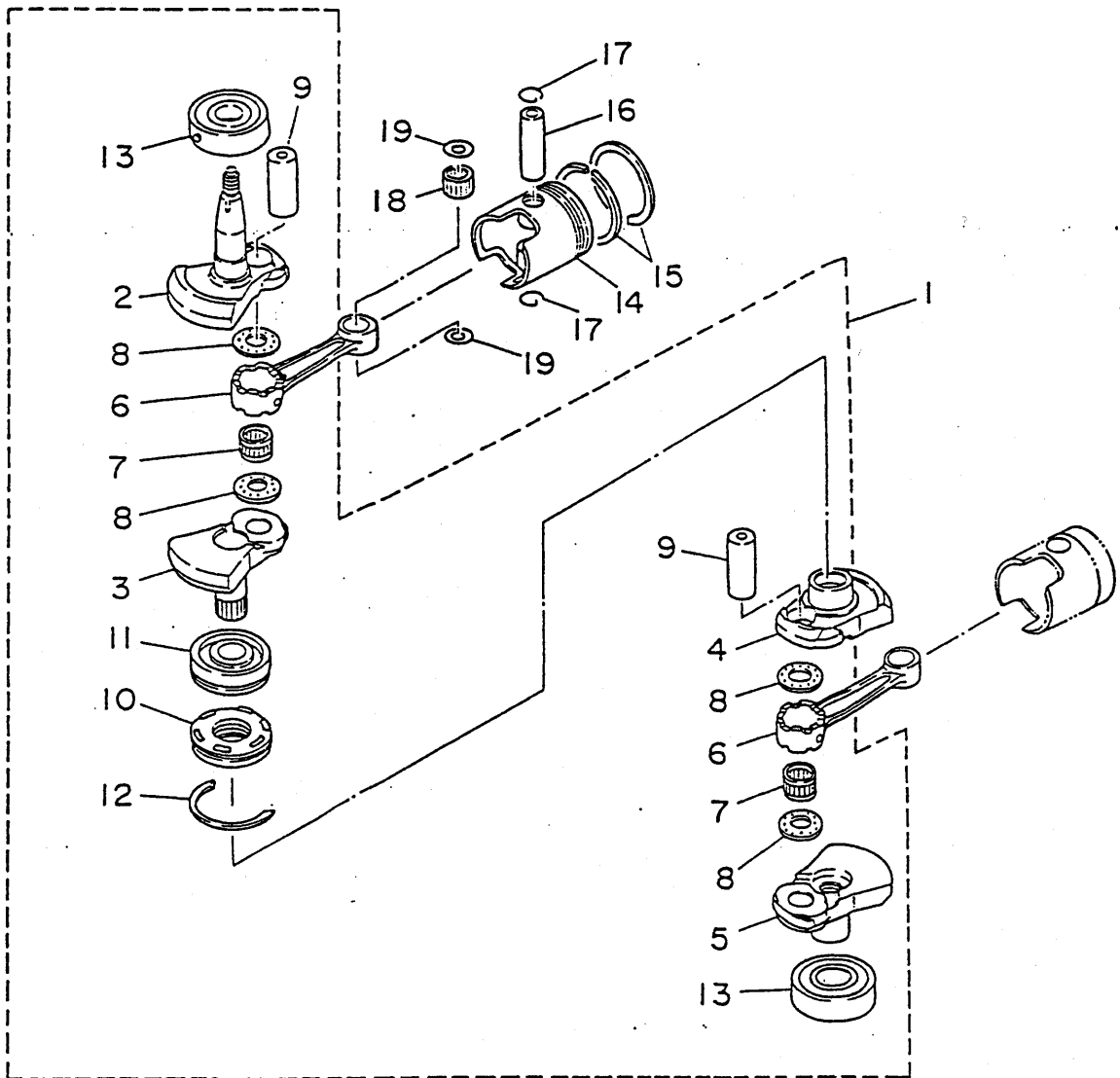


Fig. 2 CRANK & PISTON

Ref.No.	Parts No.	Description	Q'ty	Ref.No.	Parts No.	Description	Q'ty
1	6G0-11400-01	CRANK ASS'Y	1	13	93306-305U1	. BEARING (B6305)	2
2	6G0-11412-10	. CRANK 1	1	14	6G0-11631-00-95	PISTON (S.T.D.)	2
3	6G0-11422-00	. CRANK 2	1		6G0-11635-00	PISTON (1st O.S.)	2 A.P.
4	6G0-11432-00	. CRANK 3	1		6G0-11636-00	PISTON (2nd O.S.)	2 A.P.
5	6G0-11442-00	. CRANK 4	1	15	6G0-11610-00	PISTON RING SET (S.T.D.)	2
6	6G0-11651-01	. ROD, connecting	2		6G0-11610-10	PISTON RING SET (1st O.S.)	2 A.P.
7	93310-522A4	. BEARING, con-rod big end	2		6G0-11610-20	PISTON RING SET (2nd O.S.)	2 A.P.
8	90209-22071	. WASHER	4	16	648-11633-00	PIN, piston	2
9	6G0-11681-01	. PIN, crank	2	17	93450-20026	CLIP, piston pin	4
10	656-11515-00	. SEAL, labyrinth	1	18	93602-20M02	BEARING, con-rod small end	62
11	93390-00009	. BEARING, roller	1	19	90201-18522	WASHER	4
12	93440-62057	. CIRCLIP	1				

Fig. 3 INTAKE

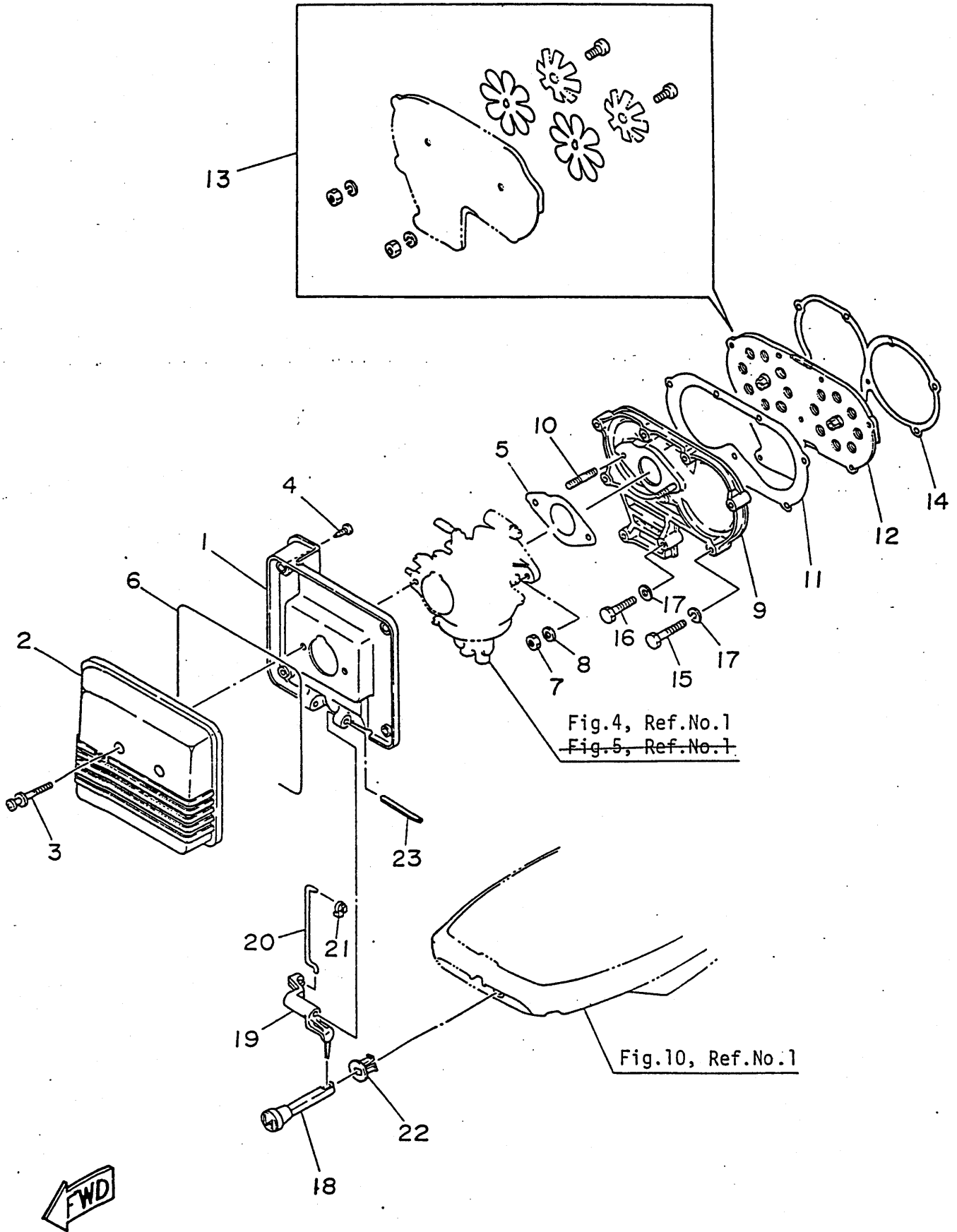


Fig. 3 INTAKE

Ref.No.	Parts No.	Description	Q'ty	Ref.No.	Parts No.	Description	Q'ty
1	660-14417-00	COVER 1	1	13	689-W0004-00	. REED SET	1
2	660-14418-00	COVER 2	1	14	648-13621-00	PACKING, valve seat	1
3	90159-05M02	SCREW, with washer	2	15	97313-06035	BOLT	7
4	97780-50716	SCREW	4	16	97313-06025	BOLT	2
5	648-14198-00	GASKET	1	17	92990-06600	WASHER	9
6	660-14476-00	SEAL	1	18	682-41271-00	KNOB, choke 1	1
7	95303-06600	NUT	2	19	689-41252-01	LEVER, choke 1	1
8	92990-06600	WASHER	2	20	695-41256-00	ROD, choke link 1	1
9	648-13641-01-94	MANIFOLD, intake	1	21	661-41262-02	JOINT, choke lever	1
10	90116-06M08	BOLT, stud	2	22	689-41273-00	GROMMET 1	1
11	648-13645-00	GASKET, intake manifold 1	1	23	91690-40048	PIN, spring	1
12	689-13610-00	REED VALVE ASS'Y	1				

Fig. 4 CARBURETOR (C.D.I. TYPE)

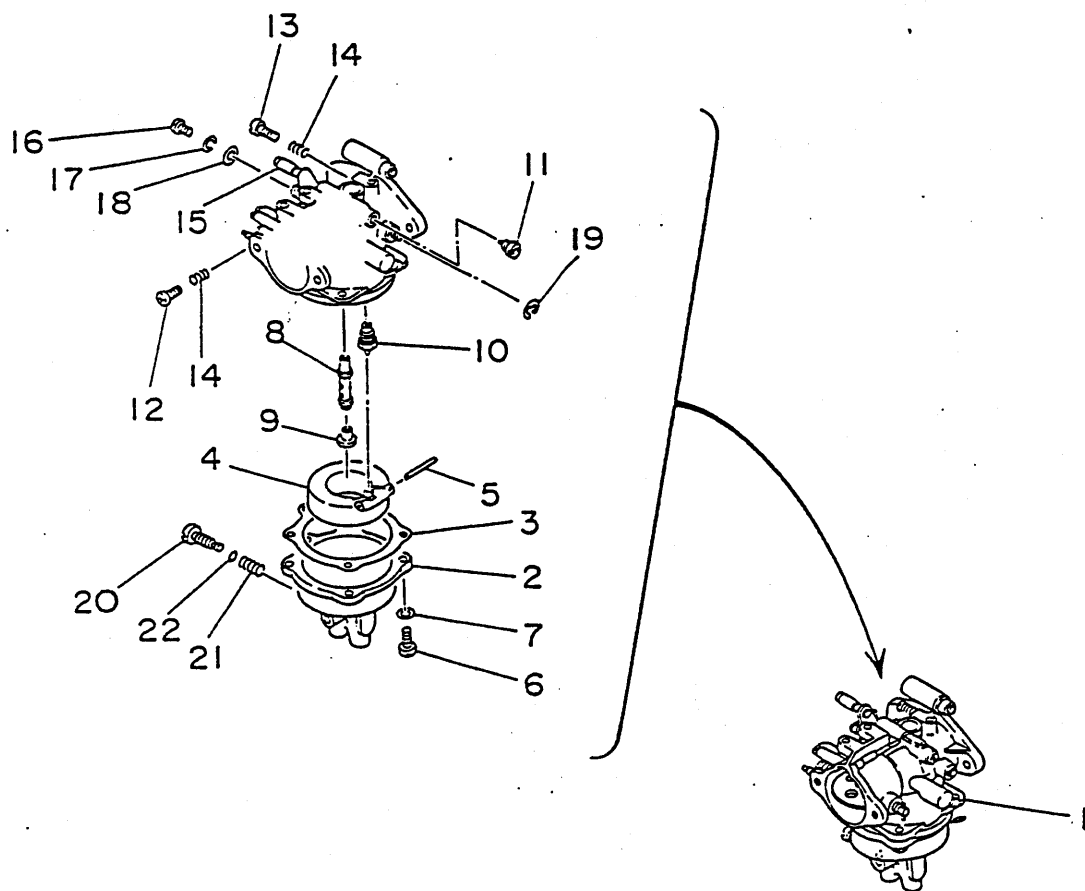
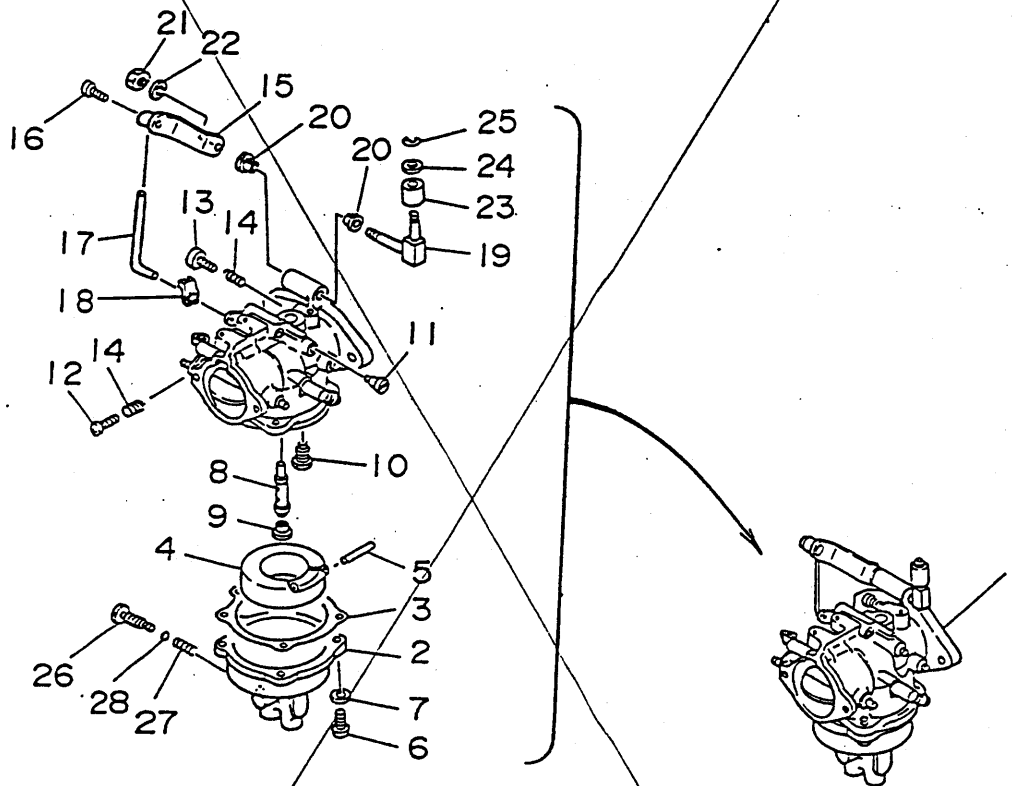


Fig. 4 CARBURETOR (C.D.I. TYPE)

Ref.No.	Parts No.	Description	Q'ty	Ref.No.	Parts No.	Description	Q'ty
1	660-14301-00	CARBURETOR ASS'Y	1	12	648-14321-00	. SCREW, throttle	1
2	689-14381-01	. BODY, float chamber	1	13	647-14323-00	. SCREW, air adjusting	1
3	648-14384-01	. GASKET, float chamber	1	14	646-14212-01	. SPRING, air adjusting	2
4	648-14385-00	. FLOAT	1	15	660-14534-00	. COLLAR	1
5	6E5-14386-01	. PIN, float	1	16	98503-04008	. SCREW, panhead	1
6	98580-04012	. SCREW, panhead	4	17	92903-04100	. WASHER	1
7	92990-04100	. WASHER	4	18	92990-04200	. WASHER	1
8	6A9-14341-00	. NOZZLE, main	1	19	93430-04301	. CIRCLIP	1
9	648-14343-70	. JET, main (#140)	1	20	646-14394-00	. VALVE, drain	1
10	6J0-14390-14	. VALVE SEAT ASS'Y (1.4 ϕ)	1	21	646-14223-01	. SPRING, drain valve	1
11	648-14342-30	. JET, pilot (#60)	1	22	646-14397-00	. O-RING	1

Fig. 5 CARBURETOR (POINT TYPE)



FWD

Fig. 5 CARBURETOR (POINT TYPE)

Ref.No.	Parts No.	Description	Q'ty	Ref.No.	Parts No.	Description	Q'ty
1	694-14301-02	CARBURETOR ASS'Y	1	15	648-41210-01	. ACCEL. ARM ASS'Y	1
2	664-14381-01	. BODY, float chamber	1	16	664-14327-00	. SCREW	1
3	648-14384-01	. GASKET, float chamber	1	17	656-41241-00	. ROD 1	1
4	648-14385-00	. FLOAT	1	18	661-41262-02	. JOINT, choke lever	1
5	6E5-14386-01	. PIN, float	1	19	689-41216-00	. SHEAVE SHAFT, accel. link	1
6	98580-04012	. SCREW, panhead	4	20	90386-05002	. BUSHING	2
7	92990-04100	. WASHER	4	21	95303-05700	. NUT	1
8	648-14341-00	. NOZZLE, main	1	22	92990-05100	. WASHER	1
9	648-14343-70	. JET, main (#140)	1	23	664-41231-00	. COLLAR, guide pin	1
10	6J0-14390-14	. VALVE SEAT ASS'Y (1.4ø)	1	24	92990-05200	. WASHER	1
11	648-14342-30	. JET, pilot (#60)	1	25	93430-04031	. CIRCLIP	1
12	648-14321-00	. SCREW, throttle	1	26	646-14394-00	. VALVE, drain	1
13	647-14323-00	. SCREW, air adjusting	1	27	646-14223-01	SPRING, drain valve	1
14	648-14334-00	. SPRING, air adjusting	2	28	646-14397-00	. O-RING	1

Fig. 6 STARTER (C.D.I. TYPE)

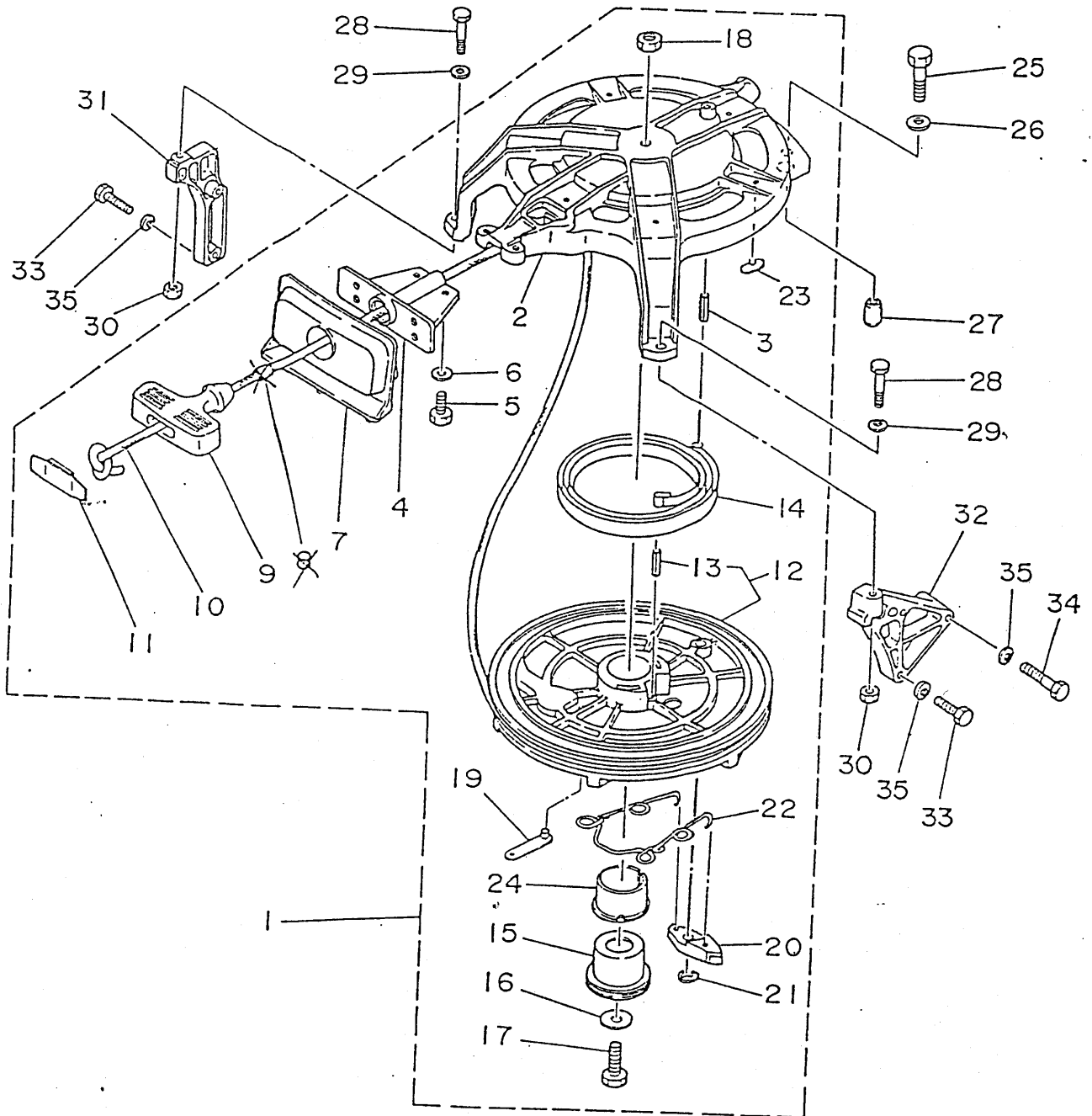


Fig. 6 STARTER (C.D.I. TYPE)

Ref.No.	Parts No.	Description	Q'ty	Ref.No.	Parts No.	Description	Q'ty
1	650 659 15710-00	STARTER ASS'Y	1	19	676-15799-01	. CLIP	1
2	676-15711-00-94	. CASE, starter	1	20	676-15741-03	. PAWL, drive	1
3	91690-40020	. PIN, spring	1	21	93430-06M02	. CIRCLIP	1
4	689-15758-01-94	. GUIDE, wire	1	22	676-15705-00	. SPRING, drive pawl	1
5	97313-06016	. BOLT	2	23	676-15773-00	. STAY 3	6
6	92903-06600	. WASHER	2	24	90386-35M01	. BUSHING	1
7	689-15762-01	. SEAL, rubber 2	1	25	97313-08035	BOLT	1
8	629-15799-00	. DAMPER	1	26	92903-08600	WASHER	1
9	619-15755-01	. HANDLE, starter	1	27	99530-12016	PIN, dowel A	1
10	+	. WIRE (2075mm)	1	28	97313-06030	BOLT	2
11	689-15779-01	. COVER	1	29	92903-06600	WASHER	2
12	676-15714-00-94	. DRUM, sheave	1	30	95303-06600	NUT	2
13	91690-40020	. PIN, spring	1	31	647 ⁶⁷⁰ 15771-00-94	STAY 1	1
14	90510-09M00	. SPRING, spiral	1	32	655-15772-00-94	STAY 2	1
15	676-15717-00	. SHAFT	1	33	97313-06025	BOLT	4
16	90201-03309	. WASHER	1	34	97313-06040	BOLT	1
17	97313-08025	. BOLT	1	35	92903-06600	WASHER	5
18	95303-08600	. NUT	1				

+ Cut from 5mm rolls, Parts No. 90890-44373, cutting length 1.9m.

Fig. 7 STARTER (POINT TYPE)

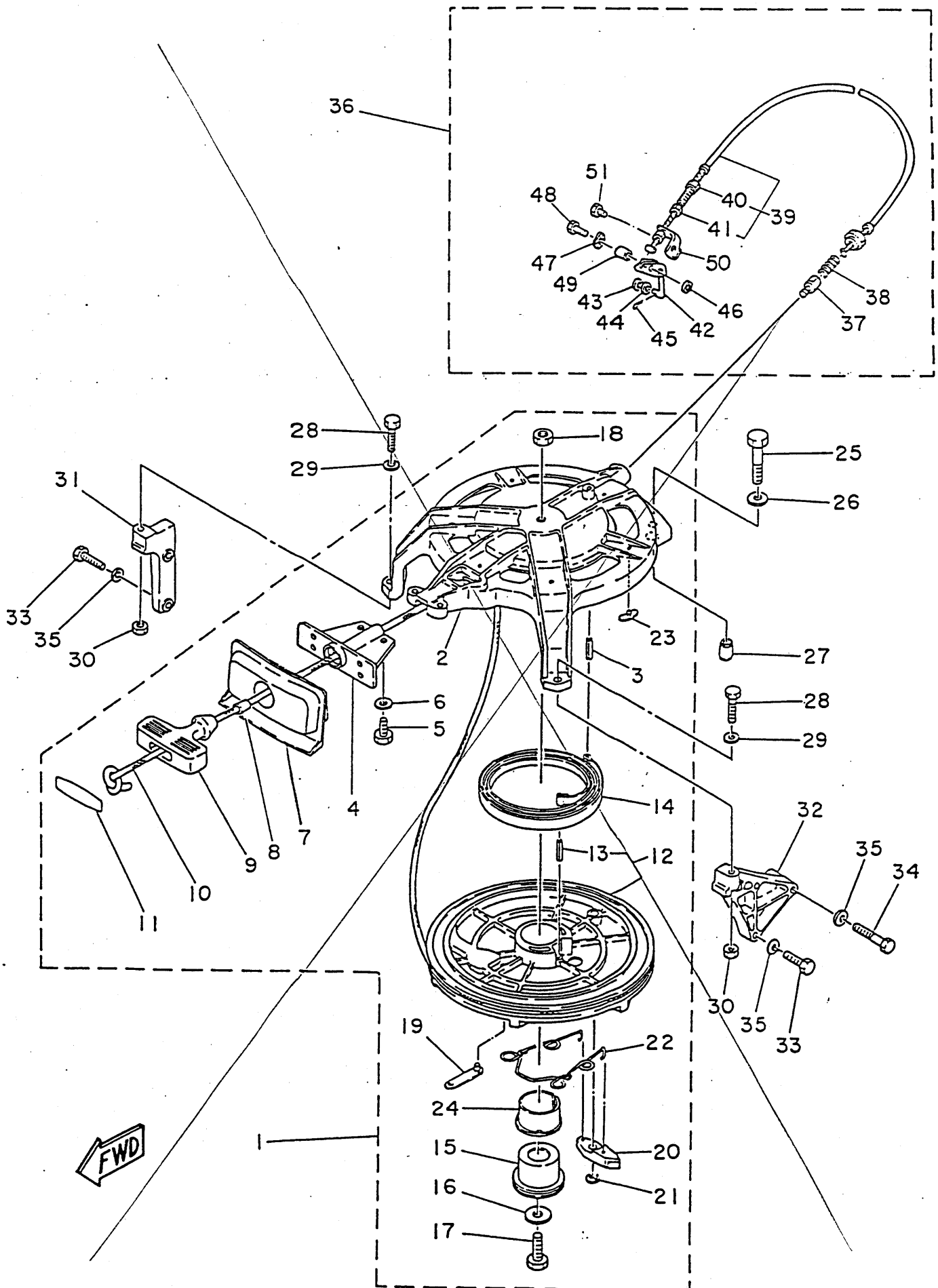


Fig. 7 STARTER (POINT TYPE)

Ref.No.	Parts No.	Description	Q'ty	Ref.No.	Parts No.	Description	Q'ty
1	689-15710-00	STARTER ASS'Y	1	27	99530-12016	PIN, dowel	1
2	676-15711-00-94	. CASE, starter	1	28	97313-06035	BOLT	2
3	91690-40020	. PIN, spring	1	29	92903-06600	WASHER	2
4	689-15758-01-94	. GUIDE, wire	1	30	95303-06600	NUT	2
5	97313-06016	. BOLT	2	31	656-15771-00-94	STAY 1	1
6	92903-06600	. WASHER	2	32	656-15772-00-94	STAY 2	1
7	689-15762-01	. SEAL, rubber.2	1	33	97313-06025	BOLT	4
8	689-15789-00	. DAMPER	1	34	97313-06040	BOLT	1
9	619-15755-01	. HANDLE, starter	1	35	92903-06600	WASHER	5
10	+	. WIRE (2075mm)	1			SAFETY STARTER	
				36	656-W0079-00	SAFETY STARTER KIT	1
11	689-15779-01	. COVER	1				
12	676-15714-00-94	. DRUM, sheave	1	37	656-15748-00	. PLUNGER, starter stop	1
13	91690-40020	. . PIN, spring	1	38	90501-10227	. SPRING, compression	1
14	90510-09M00	. SPRING, spiral	1	39	656-15770-00	. WIRE COMP., starter stop	1
15	676-15717-00	. SHAFT	1	40	90123-06049	. . BOLT, wire adjusting	1
				41	95303-06600	. . NUT	2
16	90201-08309	. WASHER	1				
17	97313-08025	. BOLT	1	42	656-15749-00	. LINK COMP., starter stop	1
18	95303-08600	. NUT	1	43	92903-05600	. WASHER	1
19	676-15799-01	. CLIP	1	44	90206-05005	. WASHER, wave	1
20	676-15741-03	. PAWL, drive	1	45	91490-16010	. PIN, cotter	1
				46	92903-06600	. WASHER	1
21	93430-06M02	. CIRCLIP	1				
22	676-15705-00	. SPRING, drive pawl	1	47	90206-08010	. WASHER, wave	1
23	676-15773-00	. STAY 3	6	48	97313-06020	. BOLT	1
24	90386-35M01	. BUSHING	1	49	90387-06568	. COLLAR	1
25	97313-08035	BOLT	1	50	656-15774-00	. STAY 4	1
				51	97313-06010	. BOLT	1
26	92903-08600	WASHER	1				

+ Cut from 50m roll, parts No. 90890-44373, cutting length 2.075m.

Fig. 8 FUEL

Fig. 4, Ref.No.1

~~Fig. 5, Ref.No.1~~

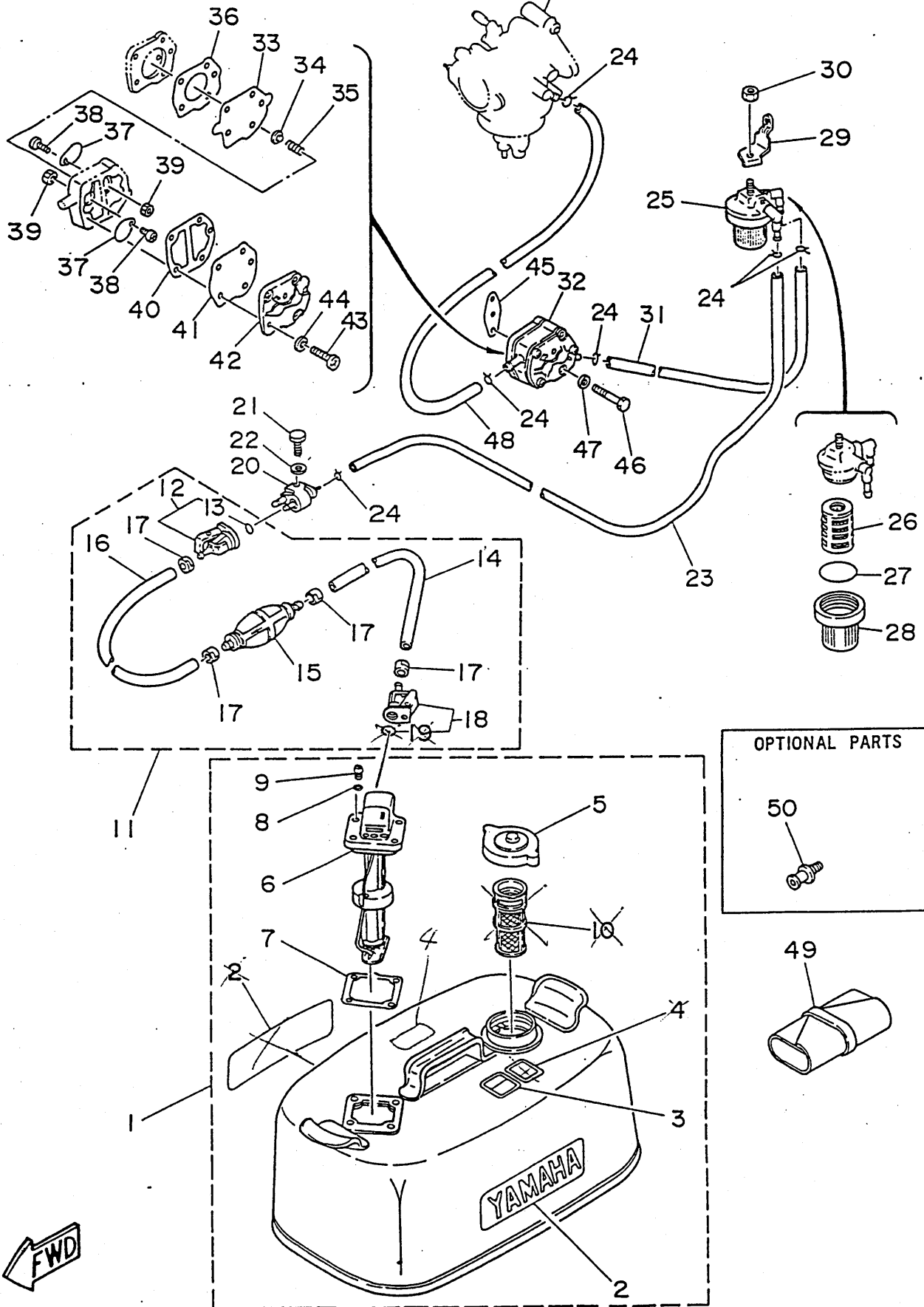


Fig. 8 FUEL

Ref.No.	Parts No.	Description	Q'ty	Ref.No.	Parts No.	Description	Q'ty
1	6Y1-24201- 61 ⁷⁵	FUEL TANK ASS'Y	1	26	6F5-24563-00	. ELEMENT, filter	1
2	6Y1-24246- 00 ⁷⁰	. GRAPHIC, side	2	27	93210-37M25	. O-RING	1
3	6Y1-24254- 50 ⁷⁰	. GRAPHIC	1	28	655-24521-01	. CUP, filter	1
4	6Y1- 24257-00 ⁷⁰	. GRAPHIC	1	29	6G0-24566-00	BRACKET, filter	1
5	6Y1-24610- 00 ⁷²	. CAP ASS'Y	1	30	95303-08600	NUT	1
6	6Y1-24260- 01 ⁷²	. FUEL METER COMP.	1	31	6G0-24311-00	HOSE	1
7	6Y1-24268-00	. GASKET, fuel meter housing	1	32	6A0-24410-02	FUEL PUMP ASS'Y	1
8	6Y1-24329-00	. SEAL	4	33	648-24411-00	. DIAPHRAGM, pump	1
9	98586-05016	. SCREW, cylinderhead	4	34	648-24424-00	. PLATE, spring guide	1
10	6Y1-24167-00	. STRAINER	1	35	648-24423-00	. SPRING, pump diaphragm	1
11	6Y1-24306- 05 ⁷⁴	FUEL PIPE ASS'Y	1	36	648-24434-00	. GASKET, body 1	1
12	6G1-24305-00 ^{6F5}	. FUEL PIPE JOINT COMP. 2	1	37	6A0-24421-01	. VALVE, check	2
13	93210-08287	. . O-RING	1	38	90147-03M00	. SCREW, panhead	2
+14	90445- 11M06 ^{13M01}	. HOSE (L:2050mm)	1	39	98813-03100	. NUT	2
15	6Y1-24360- 02 ⁵¹	. PRIMARY PUMP ASS'Y	1	40	648-24435-02	. GASKET, body 2	1
+16	90445- 11M05 ^{13M00}	. HOSE (L:850mm)	1	41	663-24411-00	. DIAPHRAGM, pump	1
17	650-24351-01 ^{6F5}	. BAND, fuel pipe	4	42	6A0-24413-00	. COVER, pump	1
18	6Y1-24305- 01 ⁷⁰	. FUEL PIPE JOINT COMP.	1	43	98580-05530	. SCREW, panhead	3
19	93210-08287	. . O-RING	1	44	92990-05100	. WASHER	3
20	6G1-24304- 01 ⁶²	FUEL PIPE JOINT COMP. 1	1	45	650-24431-00	GASKET, fuel pump	1
21	97313-06020	BOLT	1	46	97313-06040	BOLT	2
22	92990-06600	WASHER	1	47	92990-06600	WASHER	2
23	90445-09094	HOSE	1	48	648-24312-01	HOSE	1
24	90467-08004	CLIP	6	49	6E0-28100- 01 ⁷¹	TOOL ASS'Y	1
25	655-24560-01	FILTER ASS'Y	1	50	626-28193-01-94 ^{6E0}	PLUG, water check 1	1 A.P.

+ Also available in 30m rolls (Parts No. ⁹⁰⁷⁹⁰⁻⁷⁷⁰⁰¹ 90890-56878)

Fig. 9 TOP COWLING

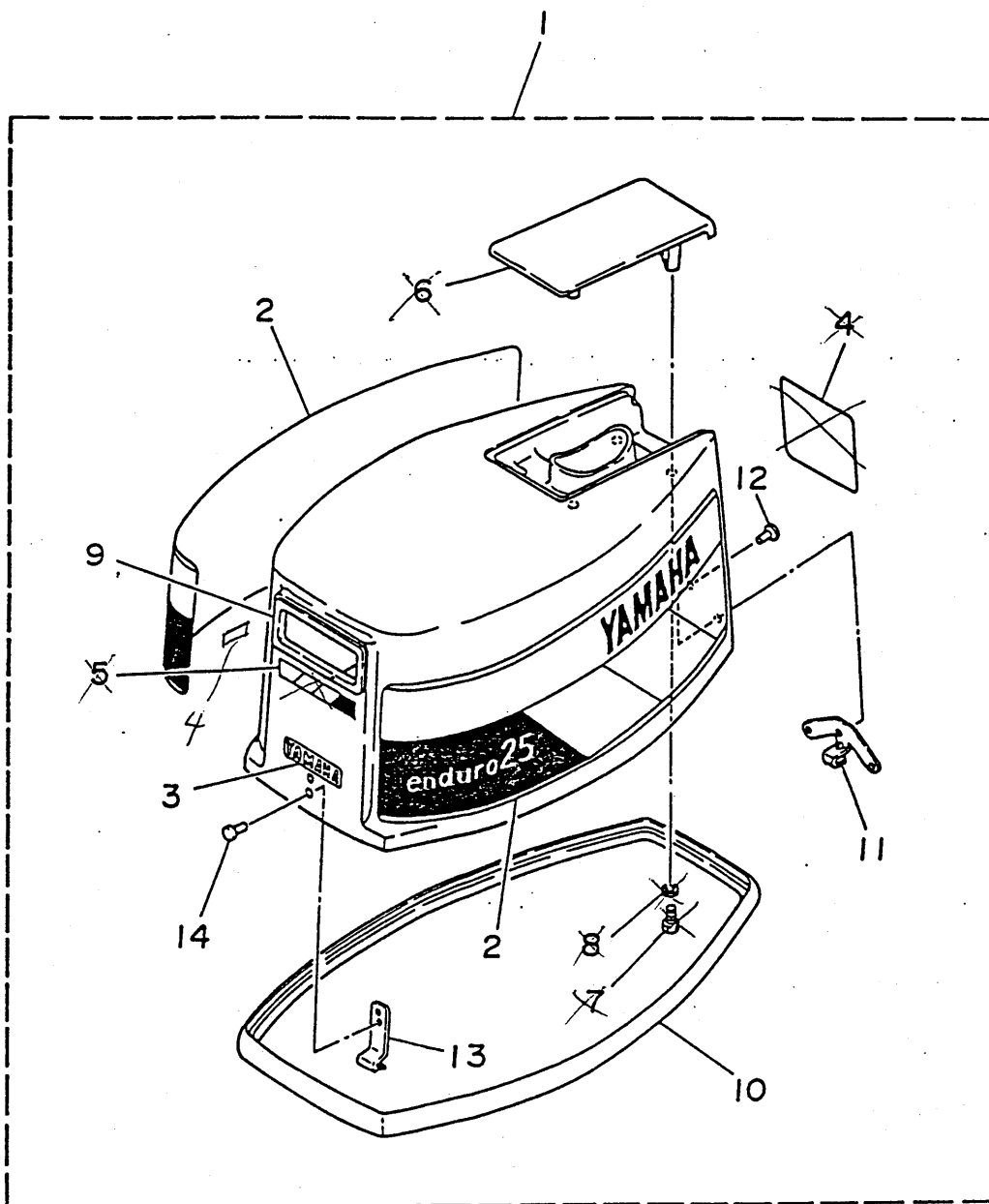
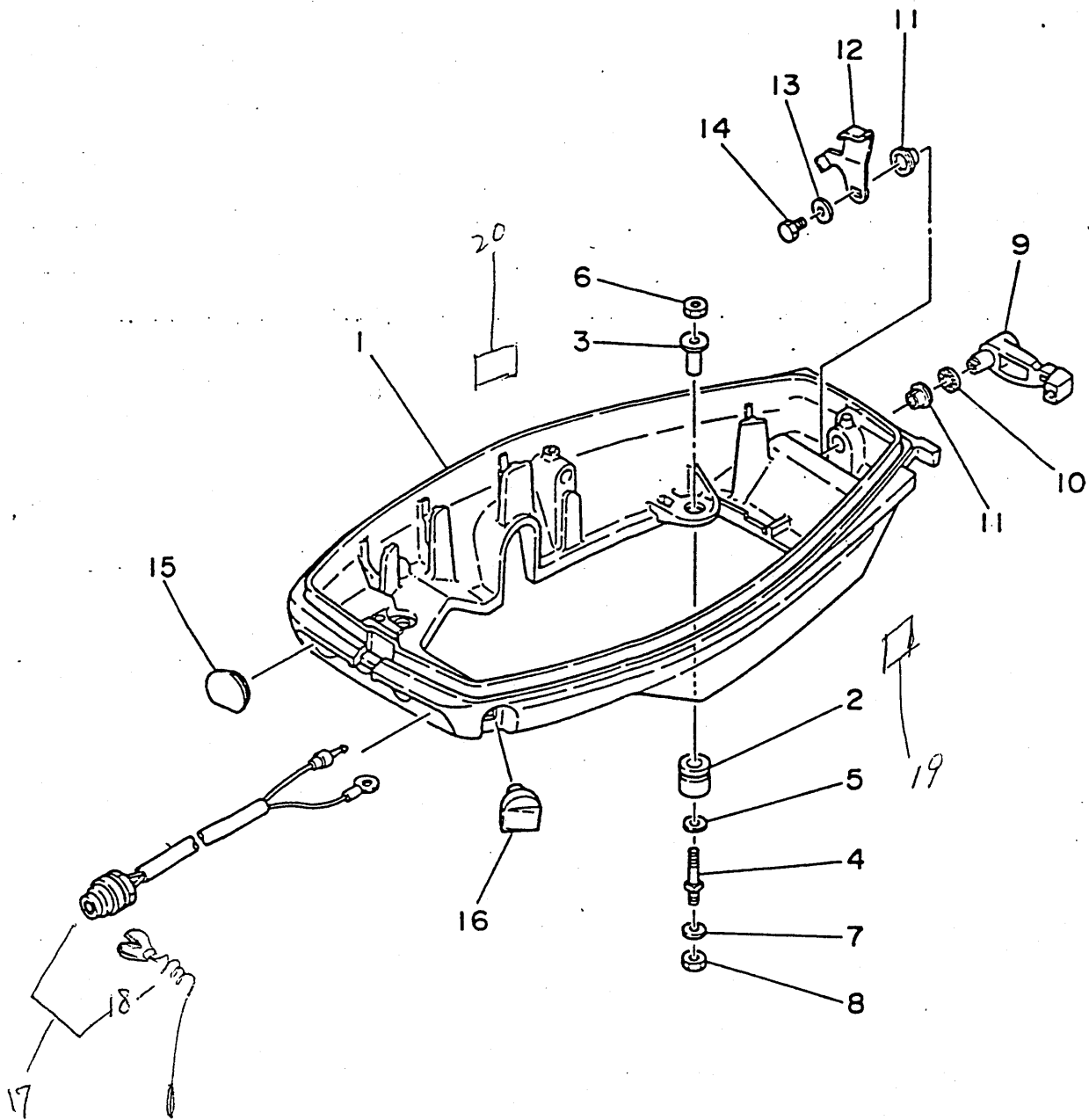


Fig. 9 TOP COWLING

Ref.No.	Parts No.	Description	Q'ty	Ref.No.	Parts No.	Description	Q'ty
1	⁶⁹⁵ 660-42610-00 ^{72-KA} EJ TOP COWLING ASS'Y (C.D.I. Type)		1 U.R.	8	92990-06600	WASHER	4
	660-42610-40 EJ TOP COWLING ASS'Y (Point Type)		1 U.R.	9	⁶⁹⁵ 660-15761-00	SEAL (C.D.I. Type)	1 U.R.
2	⁶⁹⁵ 660-W0070-00 ⁷² . GRAPHIC SIDE SET		1		689-15761-00	SEAL (Point Type)	1 U.R.
3	⁶⁹⁵ 660-42677-00 ⁷¹ . GRAPHIC, front		1	10	⁶⁹⁵ 660-42615-00	SEAL	1
4	660-42678-00 . GRAPHIC, rear		1	11	⁶⁹⁵ 660-42647-00	HOLDER, clamp band	1
4	661-44191-70 . INDICATOR, SHIFT		1	12	90266-04M01	RIVET	3 Z
5	6A4-42681-00 . MARK, cowling 1		1	13	⁶⁹⁵ 660-42651-00	HOOK 1	1
6	689-42613-00 EJ . MOLDING, air duct		1	14	90266-04M00	RIVET 2	2
7	97313-06012 . BOLT		4				

Fig. 10 BOTTOM COWLING



FWD

Fig. 10 BOTTOM COWLING

Ref.No.	Parts No.	Description	Q'ty	Ref.No.	Parts No.	Description	Q'ty
1	689-42711-00- ^{KA} EJ	COWLING, bottom	1	10	90206-12052	WASHER, wave	1
2	90480-15M06	GROMMET	4	11	90386-12M37	BUSHING	2
3	90387-08M25	COLLAR	4	12	689-42816-00 ⁶⁶⁰	LEVER, clamp 2	1
4	660-42796-00	BOLT	4	13	90201-06068	WASHER	1
5	90201-08M87	WASHER	4	14	97313-06010	BOLT	1
6	95303-08700	NUT	4	15	682-42724-00	GROMMET 1	1
7	92990-08600	WASHER	4	16	689-42725-00	GROMMET 2	1
8	95380-08700	NUT	4	17	689-82550-01 ⁶²⁵⁷⁵⁻⁷⁰	STOP SWITCH ASS'Y ^{KILL}	1
9	689-42815-00	LEVER, clamp 1	1	18	62-82556-00	-STEPPER ASSY	1
				19	660-42783-70	GRAPHIC, SIDE	1
				20	660-42784-70	GRAPHIC, SIDE	1

Fig. 11 BRACKET

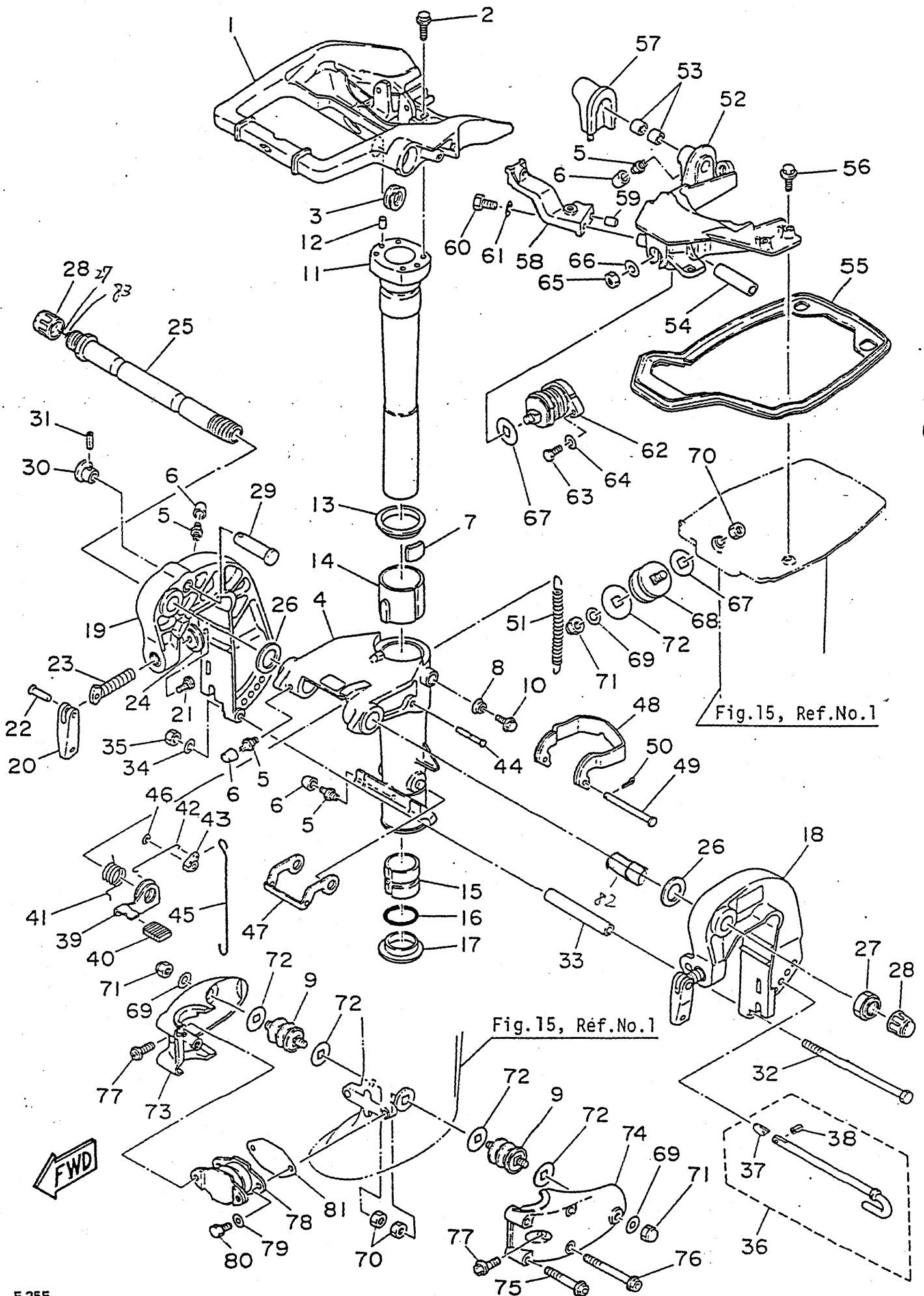


Fig. 11 BRACKET

Ref.No.	Parts No.	Description	Q'ty	Ref.No.	Parts No.	Description	Q'ty
1	⁶²⁷ 656-42511-01- ^{00-KA} EJ	BRACKET, steering	1	42	689-43616-00	ROD, tilt lock 1	1
2	90105-06M07	BOLT	4	43	648-43642-00	LEVER, tilt 2	1
3	90480-29045	GROMMET	1	44	⁶²⁷ 90249- 06M18 ^{02-KA}	PIN	1
4	^{63-KA} 689-43311-02-EJ	BRACKET, swivel	1	45	648-43617-00	ROD, tilt lock 2	1
5	93700-06004	NIPPLE, grease	5	46	99080-05600	CIRCLIP	1
6	663-45119-00	CAP, grease nipple	5	47	⁶⁴⁸ 689-43615-00	PLATE, tilt lock 2	1
7	648-42528-00	PLATE, friction	1	48	⁶²⁷ 648-43614-00	PLATE, tilt lock 1	1
8	689-43373-01	SEAL, damper	1	49	90240-05046	PIN, with hole	1
9	694-44555-00	MOUNT DAMPER, lower side	2	50	91490-16010	PIN, cotter	1
10	90105-06M18	BOLT	1	51	^{30-H27} 90506- 30055	SPRING, tension	1
11	689-42521-00-94	SHAFT, steering pivot	1	52	648-44518-01-9M	BRACKET COMP. 1	1
12	93608-12063	PIN, dowel B	2	53	90380-12012	BUSHING, solid	2
13	90209-47016	WASHER	1	54	90387-10M39	COLLAR	1
14	90386-47M22	BUSHING	1	55	689-42716-00	SEAL 1	1
15	³⁰⁰²² 90386-38022	BUSHING	1	56	90105-06M08	BOLT	4
16	93210-37160	O-RING	1	57	689-42718-00	SEAL 3	1
17	90386-38022	BUSHING	1	58	648-44519-00-94	BRACKET 2	1
18	^{62-KA} 689-43111-01-EJ	BRACKET, clamp 1	1	59	93606-12019	PIN, dowel B	1
19	^{62-KA} 689-43112-01-EJ	BRACKET, clamp 2	2	60	97395-06018	BOLT	1
20	^{KA} 616-43118-00-EJ	HANDLE, transom clamp	2	61	92990-06600	WASHER	1
21	90109-06M12	BOLT	2	62	689-44516-00	MOUNT DAMPER, upper front	1
22	²⁴⁻⁴⁰⁰ 90243-04001	PIN	2	63	97395-06020	BOLT	2
23	660-43116-00	SCREW, transom clamp	2	64	92990-06600	WASHER	2
24	6F5-43114-00	PAD, transom clamp	2	65	92880-10200	NUT	1
25	⁶⁷⁰ 689-43131-00	BOLT, clamp bracket	1	66	92990-10200	WASHER	1
26	90201-22428	WASHER	2	67	648-44591-00	GASKET 1	3
27	90185-22043	NUT, self-locking	1	68	664-44514-00-94	MOUNT DAMPER, upper side	2
28	663-43145-00	CAP, clamp bracket	2	69	92990-10200	WASHER	4
29	689-43191-00	SHAFT, stopper	1	70	95380-10600	NUT	4
30	689-43192-01	KNOB, stopper	1	71	95380-10800	NUT, crown	4
31	91690-30016	PIN, spring	1	72	664-44591-00	GASKET 1	6
32	90101-08339	BOLT	1	73	648-44551-01-EJ	HOUSING, lower mount 1	1
33	⁶²⁷ 90387-09074	COLLAR	1	74	648-44552-01-EJ	HOUSING, lower mount 2	2
34	92990-08600	WASHER	1	75	90105-08M03	BOLT	2
35	95380-08600	NUT	1	76	90105-08M04	BOLT	2
36	682-43160-01	TILT ROD ASS'Y	1	77	90105-08M02	BOLT	2
37	656-43165-01	. STOPPER PLATE	1	78	694-44557-00	MOUNT DAMPER, lower front	1
38	91690-30008	. PIN, spring	1	79	92990-08600	WASHER	2
39	689-43631-00	LEVER, tilt 1	1	80	97395-08016	BOLT	2
40	689-43633-00	COVER, tilt lever 1	1	81	648-44593-00	GASKET, mount tower front	1
41	689-43643-00	SPRING, torsion	1	82	^{KA} 90326-22M67	BUSH	2
				83	^{KA} 670-43113-01	PLATE, CLAMP BRACKET	1

Fig. 12 STEERING

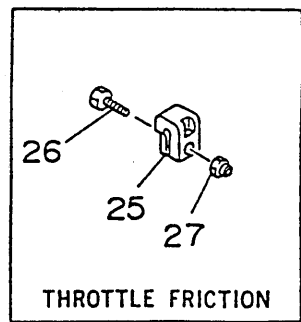
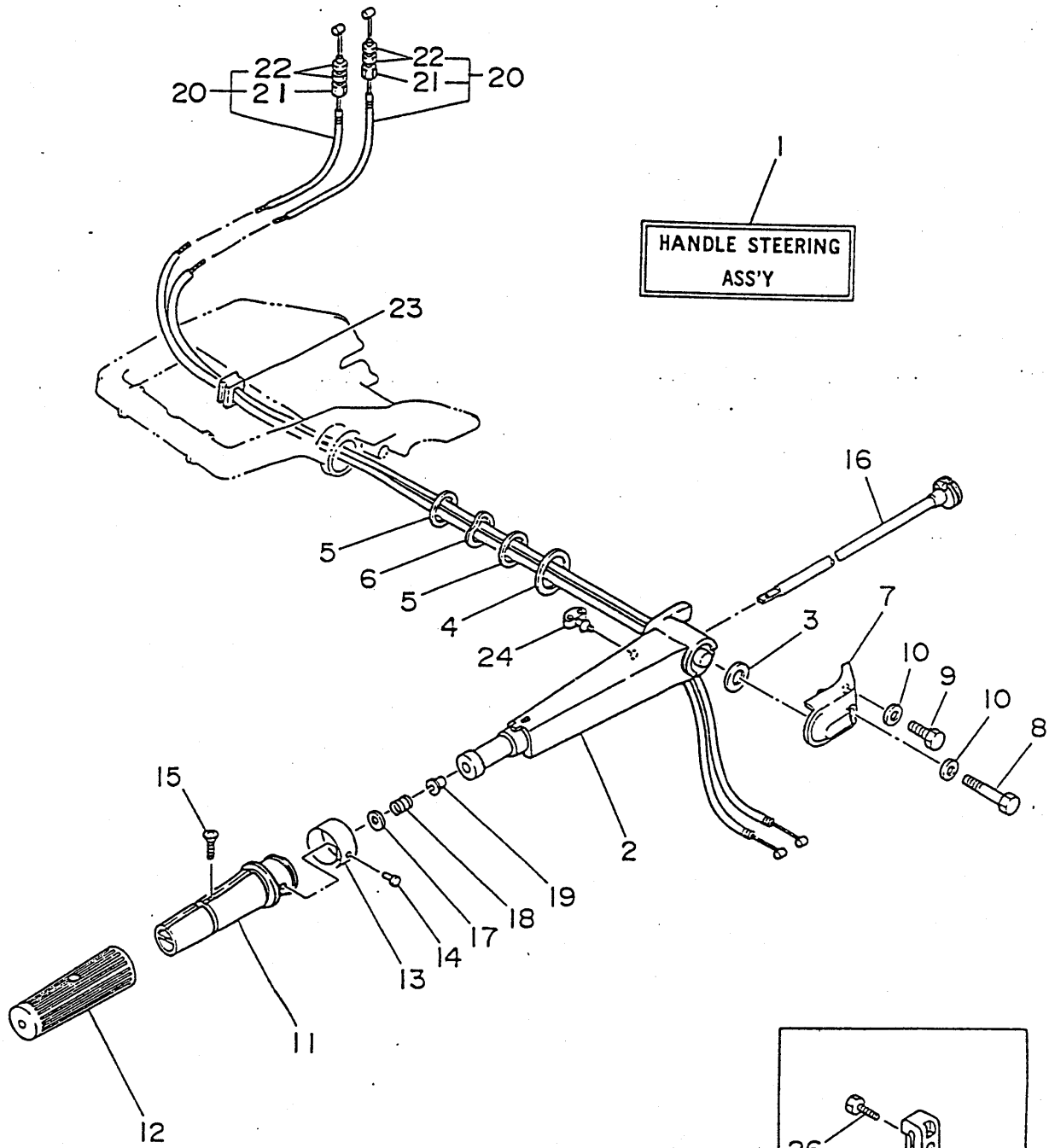


Fig. 12 STEERING

Ref.No.	Parts No.	Description	Q'ty	Ref.No.	Parts No.	Description	Q'ty
1	660-W0084-00- ^{KA} EJ	HANDLE STEERING ASS'Y (C.D.I. Type) (Ref. No. 2 to 23)	1 U.R.	14	90269-02001	RIVET	1
	694-W0084-00-EJ	HANDLE STEERING ASS'Y (Point Type) (Ref. No. 2 to 23)	1 U.R.	15	⁹⁰¹⁶⁵⁻⁰⁵⁰²⁵ 98680-05025	SCREW, ovalhead	1
2	694-42111-00- ^{KA} EJ	HANDLE, steering 1	1	16	689-42138-00	LEVER, throttle	1
3	90560-14076	SPACER	1	17	92990-10600	WASHER	1
4	90202-34043	WASHER	1	18	90501-23215	SPRING, compression	1
5	90201- ^{28M00} 28M28	WASHER	2	19	90386-08032	BUSHING	1
6	90206-28M07	WASHER, wave	1	20	660-26311-02	THROTTLE WIRE COMP. (C.D.I. Type)	2 U.R.
7	689-42112-00- ^{KA} EJ	HANDLE, steering 2	1		689-26311-02	THROTTLE WIRE COMP. (Point Type)	2 U.R.
8	97395-06050	BOLT	1	21	90123-06065	. BOLT, wire adjusting	2
9	97395-06020	BOLT	1	22	90170-06183	. NUT	4
10	92990-06600	WASHER	2	23	90480-12156	GROMMET	1
11	664-42119-00	GRIP, steering handle	1	24	606-42591-00	HOLDER, share pin THROTTLE FRICTION	1
12	661-42177-00	HANDLE	1	25	656-42126-01	PIECE, friction	1
13	660-42137-00	INDICATOR, throttle	1	26	97395-06020	BOLT	1
				27	90185-06062	NUT, self-locking	1

Fig. 13 CONTROL (C.D.I. TYPE)

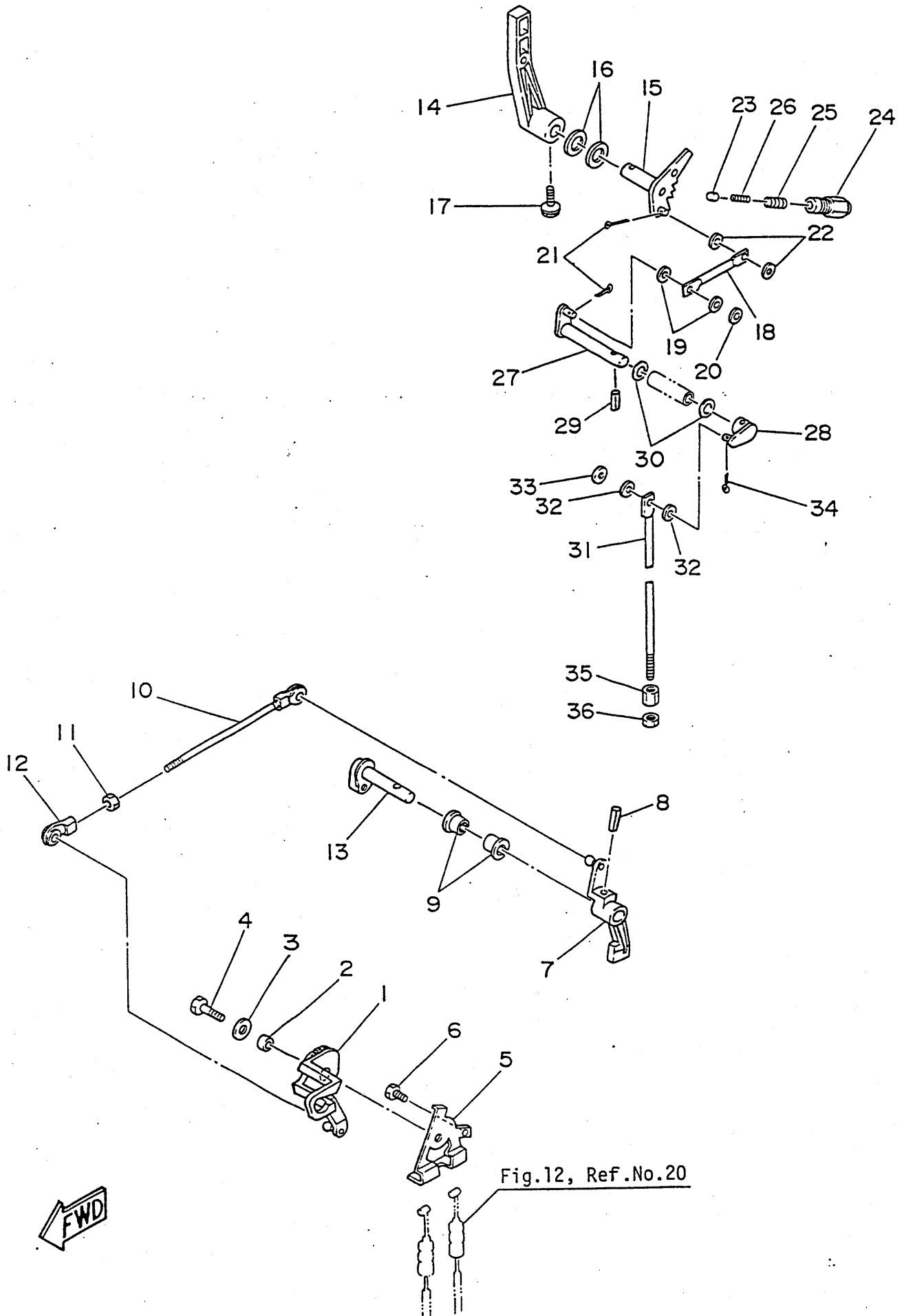


Fig. 13 CONTROL (~~C.D.I. TYPE~~)

Ref.No.	Parts No.	Description	Q'ty	Ref.No.	Parts No.	Description	Q'ty
1	6G0-41631-01-94	LEVER, magneto control	1	19	90202-06007	WASHER	2
2	90387-06M51	COLLAR	1	20	92990-05600	WASHER	1
3	90201-06M86	WASHER	1	21	91490-16010	PIN, cotter	2
4	97313-06020	BOLT	1	22	90202-06007	WASHER	2
5	6G0-14497-00	STAY, throttle wire	1	23	664-44167-00	PLUNGER, shift cam	1
6	97313-06012	BOLT	1	24	664-42715-00	BUSHING 2	1
7	6G0-42154-00-94	LEVER, throttle control	1	25	90501-14M07	SPRING, compression	1
8	91690-40025	PIN, spring	1	26	90501-09M08	SPRING, compression	1
9	90386-10009	BUSHING	2	27	694-44121-00	LEVER, shift rod 1	1
10	6G0-42169-00	JOINT	1	28	694-44125-00	LEVER, shift rod 2	1
11	95303-05600	NUT	1	29	91690-40016	PIN, spring	1
12	6G0-41237-00	JOINT, link	1	30	90202-10024	WASHER	2
13	656-42153-00-94	SHAFT, throttle control	1	31	⁶⁷⁷ 648 -44143-00	ROD, shift 1	1
14	689-44111-00- ^{EA} EA	HANDLE, gear shift	1	32	90202-06007	WASHER	2
15	664-44113-01	CAM PLATE, handle	1	33	92990-05600	WASHER	1
16	90202-12031	WASHER	2	34	91490-20010	PIN, cotter	1
17	90105-06M07	BOLT	1	35	648-44146-00	CONNECTOR, shift rod 2	1
18	648-44142-00	JOINT	1	36	90170-07021	NUT	1

Fig. 14 CONTROL (POINT TYPE)

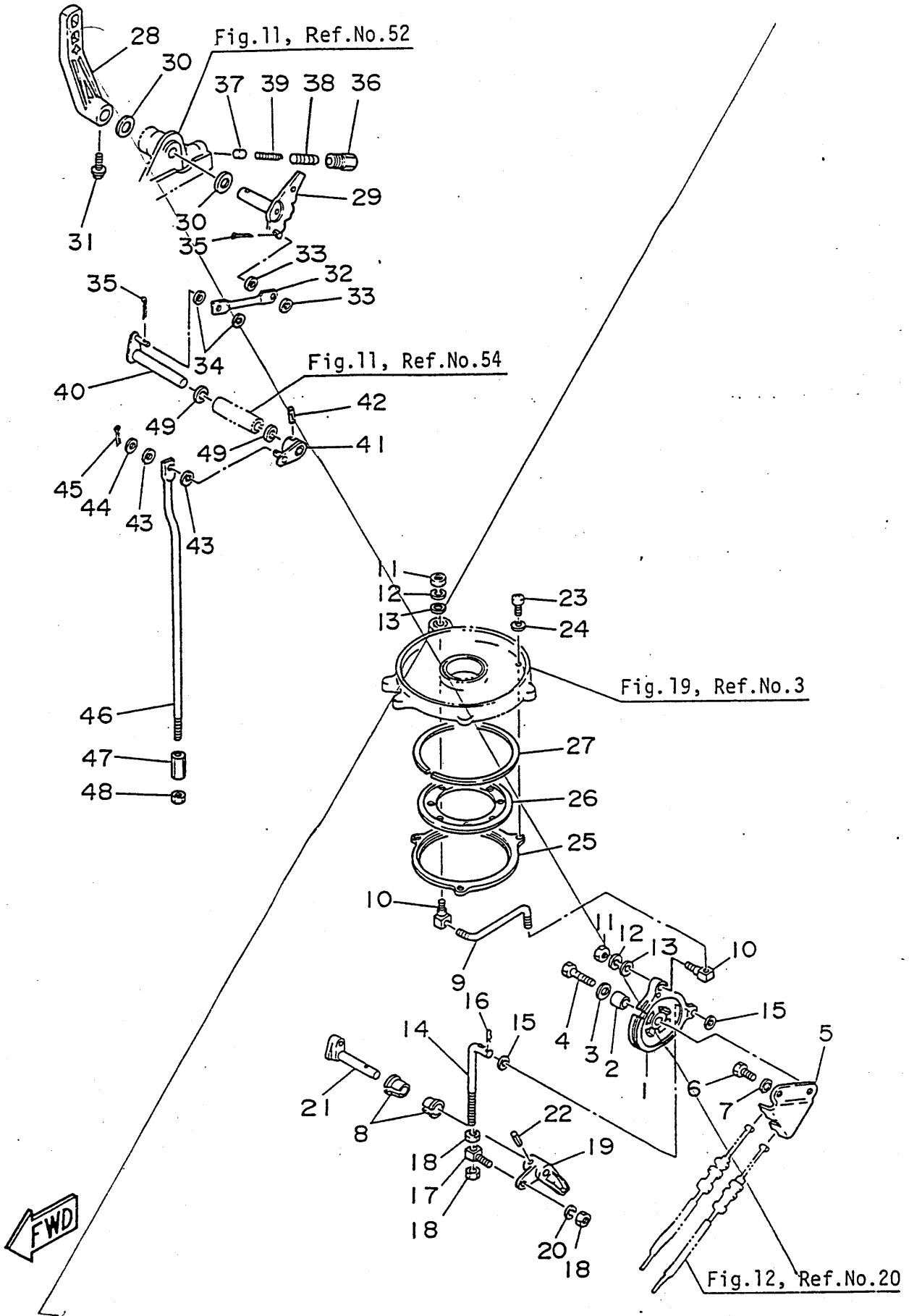


Fig. 14 CONTROL (POINT TYPE)

Ref.No.	Parts No.	Description	Q'ty	Ref.No.	Parts No.	Description	Q'ty
1	648-41631-00-94	LEVER, magneto control 1	1	26	695-41612-00	RETAINER, magneto base 2	1
2	90387-06M02	COLLAR	1	27	695-41613-00	PLATE, base friction	1
3	90387-06298	COLLAR	1	28	689-44111-00-EJ	HANDLE, gear shift	1
4	97313-06025	BOLT	1	29	664-44113-01	CAM PLATE, handle	1
5	656-14497-00	STAY, throttle wire	1	30	90202-12031	WASHER	2
6	97313-06014	BOLT	1	31	90105-06M07	BOLT	1
7	92903-06100	WASHER	1	32	648-44142-00	JOINT	1
8	90386-10009	BUSHING	2	33	90202-06007	WASHER	2
9	648-41636-01	ROD, magneto control 1	1	34	90202-06007	WASHER	2
10	648-41635-00	SHAFT, link connecting	2	35	91490-16010	PIN, cotter	2
11	95303-05600	NUT	2	36	664-42715-00	BUSHING 2	1
12	92903-05100	WASHER	2	37	664-44167-00	PLUNGER, shift cam	1
13	92903-05600	WASHER	2	38	90501-14M07	SPRING, compression	1
14	648-42169-01	JOINT	1	39	90501-09M08	SPRING, compression	1
15	92903-05600	WASHER	2	40	694-44121-00	LEVER, shift rod 1	1
16	90468-10005	CLIP	1	41	694-44125-00	LEVER, shift rod 2	1
17	90249-05014	PIN	1	42	91690-40016	PIN, spring	1
18	95303-05600	NUT	3	43	90202-06007	WASHER	2
19	656-42154-00-94	LEVER, throttle control	1	44	92990-05600	WASHER	1
20	92903-05100	WASHER	1	45	91490-20010	PIN, cotter	1
21	656-42153-00-94	SHAFT, throttle control	1	46	648-44143-00	ROD, shift 1	1
22	91690-40018	PIN, spring	1	47	648-44146-00	CONNECTOR, shift rod 2	1
23	97803-05010	SCREW, panhead	3	48	90170-07021	NUT	1
24	92903-05100	WASHER	3	49	90202-10024	WASHER, plate	2
25	695-41611-00-94	RETAINER, magneto base 1	1				

Fig. 15 UPPER CASING

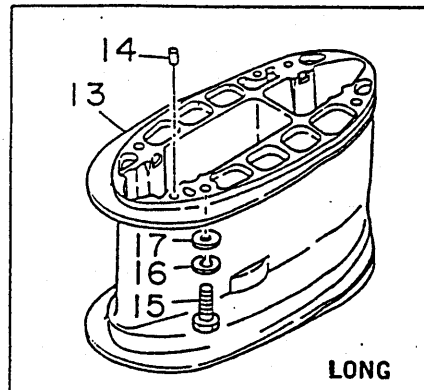
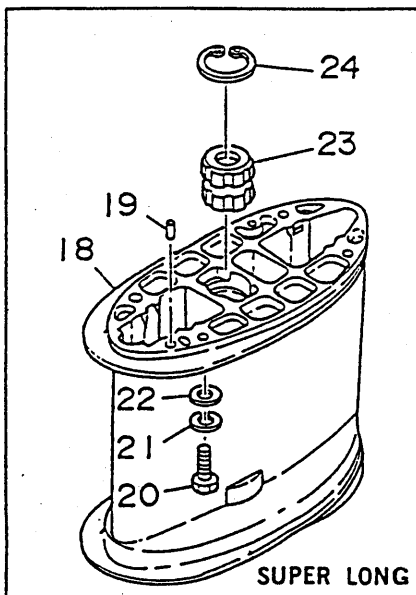
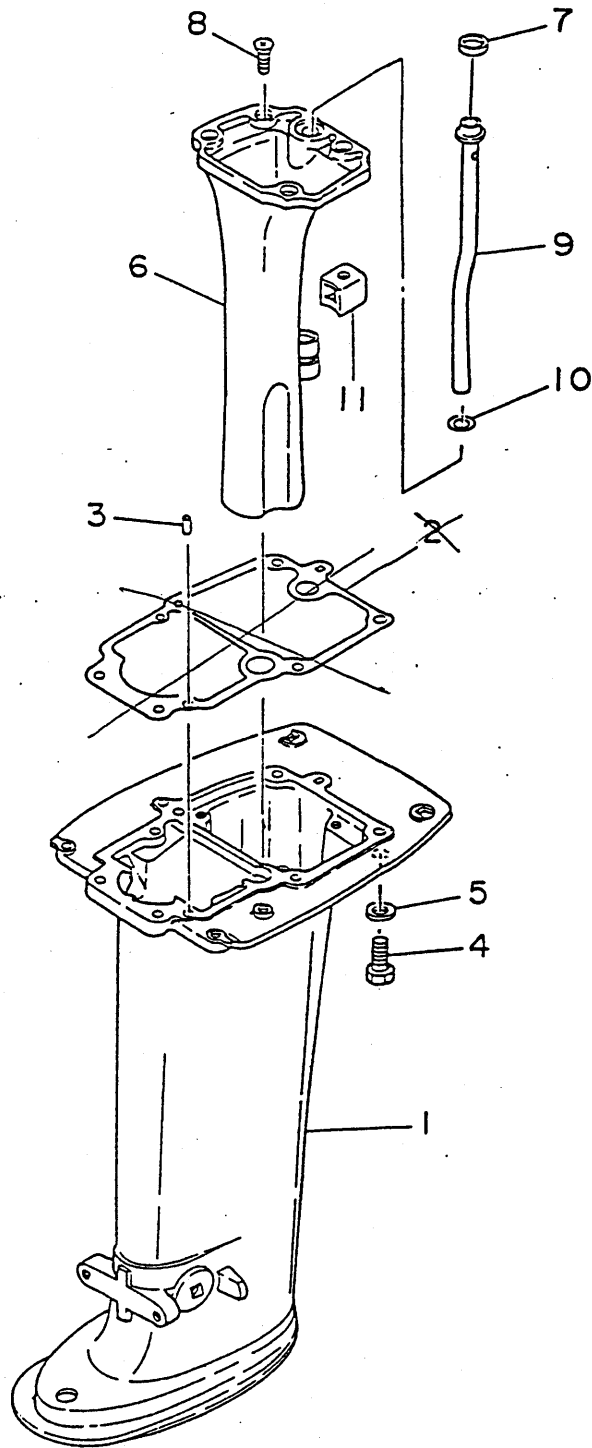


Fig. 15 UPPER CASING

Ref.No.	Parts No.	Description	Q'ty	Ref.No.	Parts No.	Description	Q'ty
1	656-45111-01- ^{KA} EA	CASING, upper	1	14	93606-12019	PIN, dowel B	2
2	656-45113-00	GASKET, upper casing	1	15	97375-08030	BOLT	4
3	93606-12019	PIN, dowel B	2	16	92990-08100	WASHER	4
4	97375-08030	BOLT	6	17	92990-08600	WASHER	4
5	92990-08600	WASHER	6			SUPER LONG	
				18	656-45211-22- ^{KA} EA	EXTENSION (Super Long)	1
6	6G0-41131-00-9M	EXHAUST MANIFOLD ASS'Y	1	19	93606-12019	PIN, dowel B	2
7	90430-09025 ^{IGT-44315-00}	GASKET DAMPER, WATER SEAL	1	20	97375-08030	BOLT	4
8	92780-06015	SCREW, flathead	4	21	92990-08100	WASHER	4
9	6G0-45135-00	PIPE 1	1	22	92990-08600	WASHER	4
10	90430-08M01	GASKET	1	23	650-45318-00	BUSHING, drive shaft 3	1
11	6G0-14737-00	DAMPER, muffler	1	24	93420-30042	CIRCLIP	1
● 12	656-W0072-01- ^{KA} EA	EXTENSION KIT (Long)	1 U.R.				
●	656-W0074-01- ^{KA} EA	EXTENSION KIT (Super Long)	1 U.R.				
		LONG					
13	656-45211-11- ^{KA} EA	EXTENSION (Long)	1				

● See Fig. 27 for detail service parts.

Fig. 16 LOWER & DRIVE I

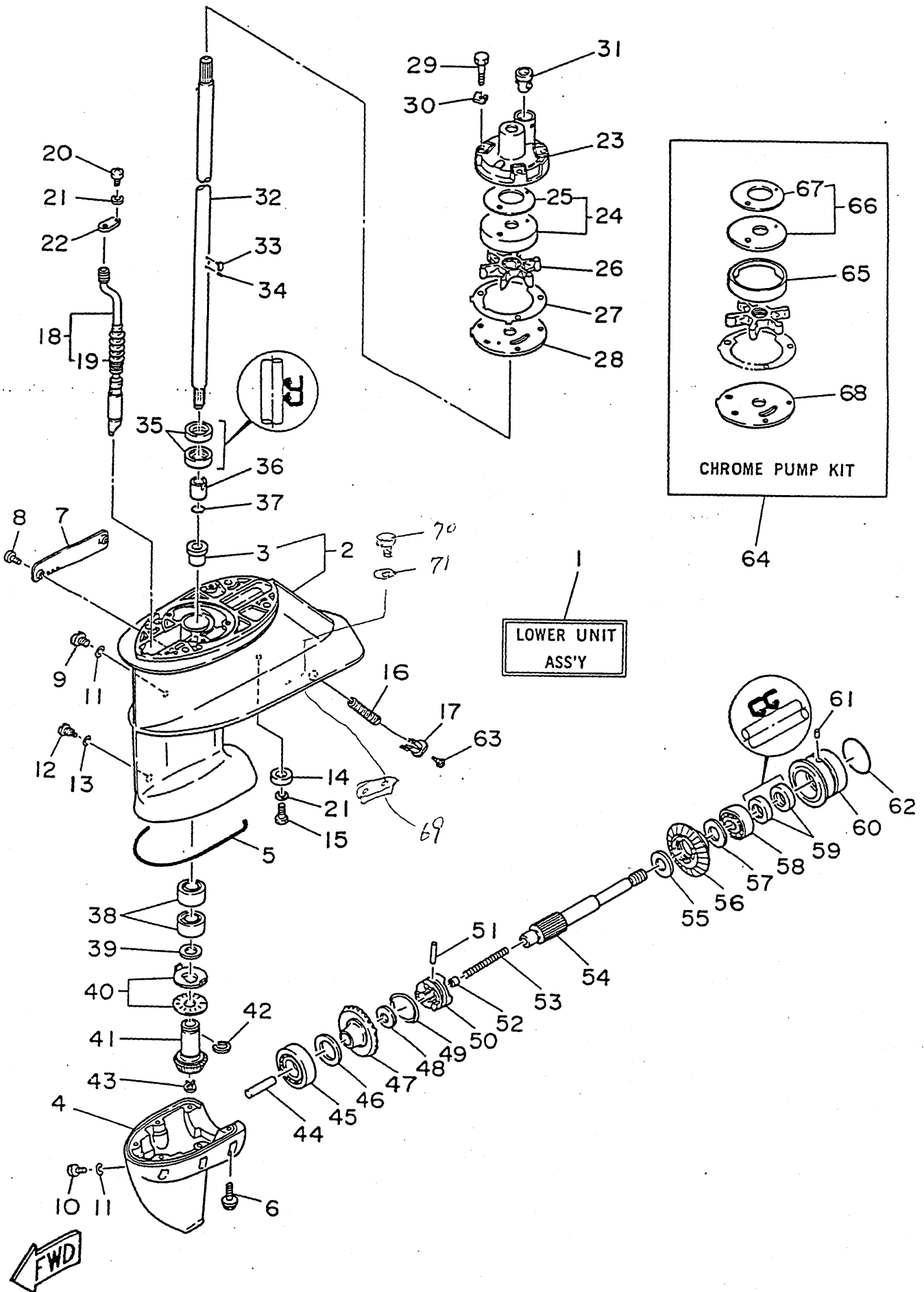


Fig. 16 LOWER & DRIVE 1

Ref.No.	Parts No.	Description	Q'ty	Ref.No.	Parts No.	Description	Q'ty
1	660-45300- 00-EJ ^{C1-KA}	LOWER UNIT ASS'Y (Short)	1	34	90249-04023	PIN	1
		(Ref. No. 2 to 63 and 69 to 71)	1 U.R.	35	93101-20048	OIL SEAL	2
	660-45300- 10-EJ ^{11-KA}	LOWER UNIT ASS'Y (Long)	1	36	626-45526-00	COLLAR, drive shaft 1	1
		(Ref. No. 2 to 63 and 69 to 71)	1 U.R.	37	93210-14167	O-RING	1
2	660-45311- 00-EJ ^{C1-KA}	LOWER CASING COMP. 1	1	38	93318-32204	BEARING, needle	2
3	648-45316-09	BUSHING, drive shaft	1	39	626-45533-00-03	WASHER, thrust	1 U.R.
4	648-45312- 00-EJ ^{KA}	CASING, lower 2	1		626-45533-00-04	WASHER, thrust	1 U.R.
5	676-45314-00	SEAL, lower casing 2	1	40	93341-22008	BEARING, thrust needle	1
6	90105-06M01	BOLT	6	41	694-45551-00	PINION (13T)	1
7	660-45214- 00-EJ ^{KA}	COVER, water inlet 1	1	42	93340-18M02	CIRCLIP	1
8	98780-05016	SCREW, ovalhead	2	43	99009-12400	CIRCLIP	1
9	90340- 08014 ^{08M04}	PLUG, straight	2	44	648-45635-00	PLUNGER, shift	1
10	688-45341-00	PLUG, drain	1	45	93306-205U0	BEARING (B6205)	1
11	90430-08020	GASKET	3	46	648-45567-00-02	SHIM 1 (0.2mm)	1 U.R.
12	90149-06003	SCREW, detent	1		648-45567-00-03	SHIM 1 (0.3mm)	1 U.R.
13	90430-06M03	GASKET, detent screw	1	47	648-45560-01	GEAR 1 ASS'Y (23T)	1
14	6E0-45251-00	ANODE	1	48	90201-14482	WASHER	1
15	97395-06016	BOLT	1	49	648-45633-00	RING, cross pin	1
16	660-45215-00	COVER, water inlet 2	1	50	656-45631-00	CLUTCH, dog	1
17	660-45279-00	CAP	1	51	90250-05010	PIN, straight	1
18	656-44150-01	SHIFT CAM ASS'Y (Short)	1 U.R.	52	648-45634-00	SLIDE, shift	1
	656-44150-11	SHIFT CAM ASS'Y (Long)	1 U.R.	53	90501-10065	SPRING	1
	656-44150-21	SHIFT CAM ASS'Y (Super Long)	1 U.R.	54	648-45611-01	SHAFT, propeller	1
19	650-44147-00	. BOOT, shift rod	1	55	90201-17485	WASHER	1
20	92590-06010	SCREW, panhead	1	56	648-45570-01	GEAR 2 ASS'Y (23T)	1
21	92990-06600	WASHER	2	57	648-45577-00-13	SHIM 2 (1.3mm)	1 U.R.
22	650-45321-00	PLATE	1		648-45577-00-15	SHIM 2 (1.5mm)	1 U.R.
23	694-44311-01	HOUSING, water pump	1		648-45577-00-17	SHIM 2 (1.7mm)	1 U.R.
24	694-W4432- 00 ⁴⁰	INSERT, cartridge comp.	1	58	93306- 20310 ²⁰³⁰¹	BEARING (B620DU)	1
25	689-44367- 00 ^{C1}	. DAMPER, water seal 3	1	59	93101-17054	OIL SEAL	2
26	660-44352-00	IMPELLER	1	60	660-45361-00-94	CAP, lower casing	1
27	694-44324-00	GASKET, cartridge	1	61	93604-09068	PIN, dowel B	1
28	694-44323- 00 ⁴⁰	OUTER PLATE, cartridge	1	62	93210-45161	O-RING	1
29	97395-06028	BOLT	3	63	97780-50725	SCREW	1
30	90209-06M04	WASHER	3			CHROME PUMP KIT	
31	626-44365-01	RUBBER, water seal 1	1	64	694-W0078-0A	CHROME PUMP KIT	1
32	656-45511-00	SHAFT, drive 1 (Short)	1 U.R.	65	689-44322-40	. INSERT, cartridge	1
	656-45511-10	SHAFT, drive 1 (Long)	1 U.R.	66	694-W4432-40	. INSERT CARTRIDGE COMP.	1
	656-45511-20	SHAFT, drive 1 (Super Long)	1 U.R.	67	689-44367-00	. . DAMPER, water seal 3	1
33	656-44355-00	PIN, impeller	1	68	694-44323-40	. OUTER PLATE, cartridge	1

69 6E0-45251-10 ANODE 1
 70 97395-06016 BOLT 2
 71 92990-06600 WASHER 2
 E-25F

Fig. 17 LOWER & DRIVE 2

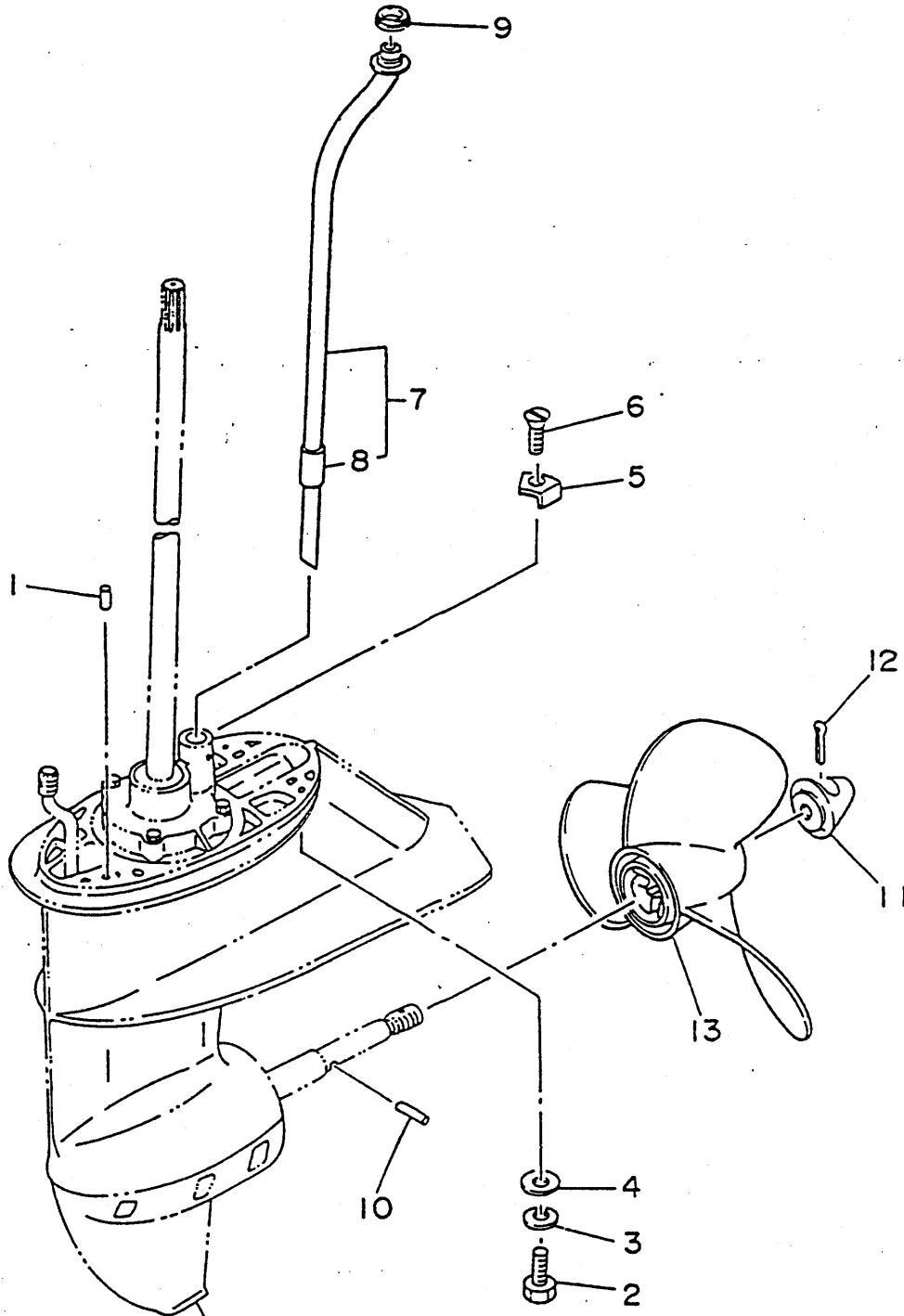


Fig.16, Ref.No.1
LOWER UNIT ASS'Y



Fig. 17 LOWER & DRIVE 2

Ref.No.	Parts No.	Description	Q'ty	Ref.No.	Parts No.	Description	Q'ty
1	93606-12019	PIN, dowel B.	2	13	648-45941-01-EL	PROPELLER ASS'Y 1(3x9"x11"-D)	1 U.R.
2	97375-08030	BOLT	4		650-45941-01-EL	PROPELLER ASS'Y 1(3x9"x8"-D)	1 U.R.
3	92990-08100	WASHER	4		653-45941-01-EL	PROPELLER ASS'Y 2(3x9"x11"-D)	1 U.R.
4	92990-08600	WASHER	4		626-45943-02-EL	PROPELLER ASS'Y 2(3x9"x10"-D)	1 U.R.
5	656-45251-00	ANODE	1		626-45949-01-EL	PROPELLER ASS'Y 5(3x9"x9"-D)	1 U.R.
6	92280-06018	SCREW, flathead	1		648-45926-01-EL	PROPELLER ASS'Y 8(2x9"x10"-D)	1 U.R.
7	656-44361-00	TUBE, water 1 (Short)	1 U.R.		STAINLESS BUSHING PROPELLER		
	656-44361-10	TUBE, water 1 (Long)	1 U.R.		648-45941-61-EL	PROPELLER ASS'Y 1(3x9"x10"-D)	1 U.R.
	656-44361-20	TUBE, water 1 (Super Long)	1 U.R.		650-45941-60-EL	PROPELLER ASS'Y 1(3x9"x8"-D)	1 U.R.
8	90445-11285	HOSE	1		648-45943-61-EL	PROPELLER ASS'Y 2(3x9"x11"-D)	1 U.R.
9	648-44365-01	DAMPER, water seal 1	1		656-45943-61-EL	PROPELLER ASS'Y 2(3x9"x11"-D)	1 U.R.
10	90250-05011	PIN, straight	1		648-45945-61-EL	PROPELLER ASS'Y 3(3x8"x9"-D)	1 U.R.
11	650-45616-01	NUT, propeller	1		626-45949-60-EL	PROPELLER ASS'Y 5(3x9"x9"-D)	1 U.R.
12	91490-30030	PIN, cotter	1				

Fig. 18 C.D.I. MAGNETO (C.D.I. TYPE)

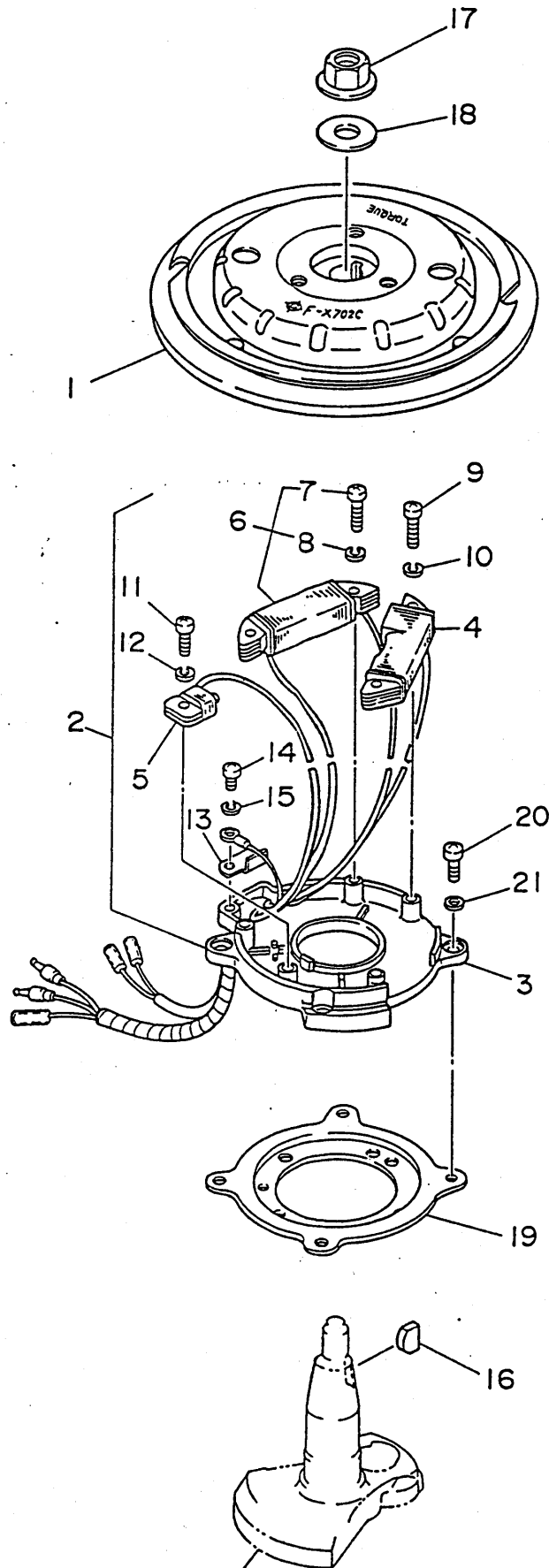


Fig. 2, Ref.No.2

Fig. 18 C.D.I. MAGNETO (~~C.D.I. TYPE~~)

Ref.No.	Parts No.	Description	Q'ty	Ref.No.	Parts No.	Description	Q'ty
1	6G0-85550-70 ^{Hc}	ROTOR ASS'Y	1	12	92901-05100	. WASHER	1
2	6G0-85560-60 ^{FO}	BASE ASS'Y	1	13	6E7-81328-70	. CLAMP, cord	1
3	6G0-85509-70	. BASE, magneto	1	14	97802-04008	. SCERW	1
4	6G0-85520-70	. CHARGE COIL ASS'Y	1	15	92902-04100	. WASHER	1
5	6G0-85580-70	. PULSER COIL ASS'Y	1	16	90280-05013	KEY, woodruff	1
6	6E7-81303-40 ^{AO}	. LIGHTING COIL ASS'Y	1	17	90179-12M04	NUT	1
7	98503-05025	. . SCREW	2	18	90201-12472	WASHER	1
8	92990-05100	. . WASHER	2	19	6G0-41612-00	RETAINER, magneto base	1
9	98501-05020	. SCREW	2	20	98580-05010	SCREW	4
10	92990-05100	. WASHER	2	21	92990-05600	WASHER	4
11	98580-05016	. SCREW	1				

Fig. 19 FLYWHEEL MAGNETO (POINT TYPE)

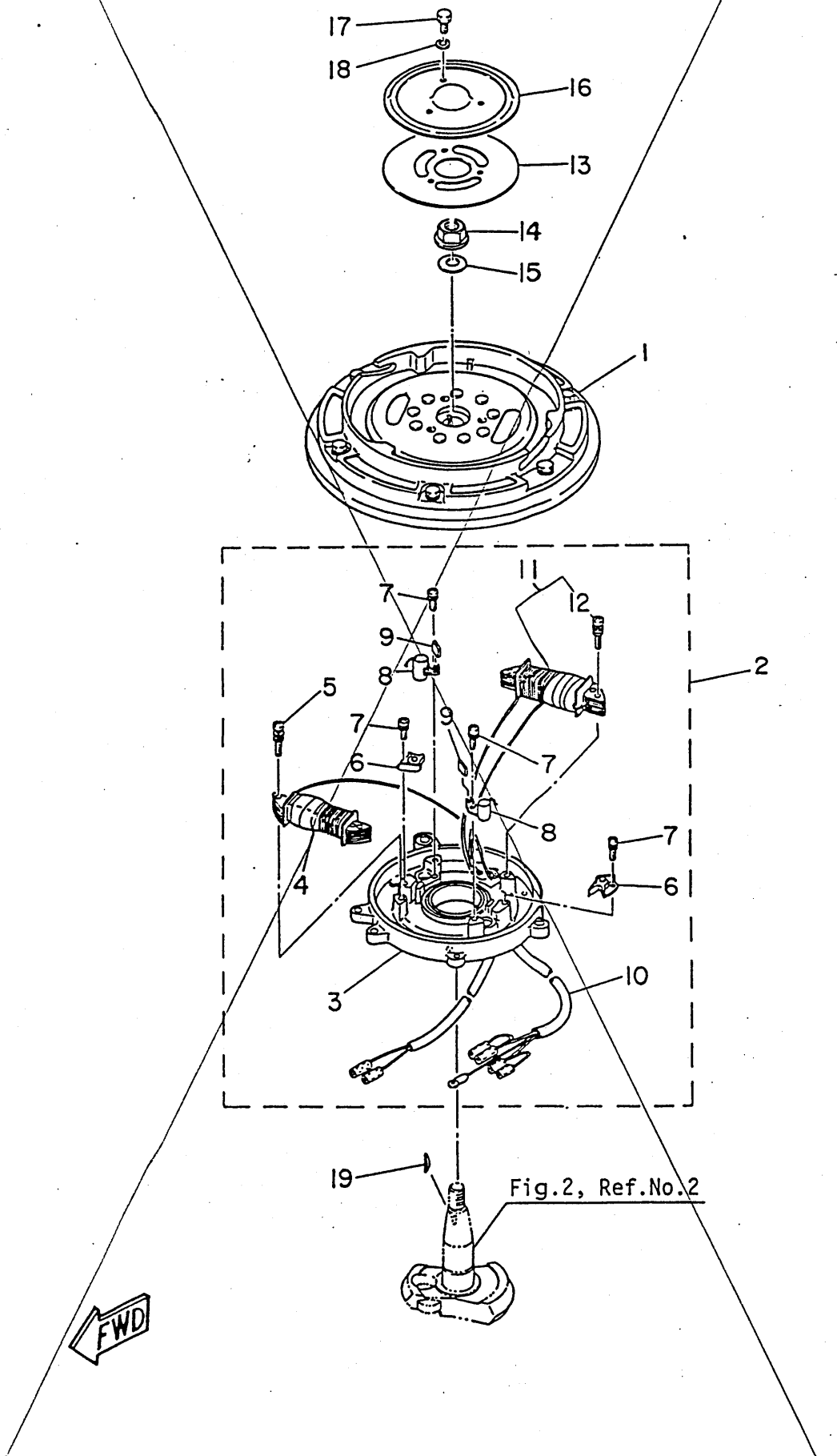


Fig. 19 FLYWHEEL MAGNETO (POINT TYPE)

Ref.No.	Parts No.	Description	Q'ty	Ref.No.	Parts No.	Description	Q'ty
1	695-81350-F0	ROTOR ASS'Y	1	11	677-81303-60	. LIGHTING COIL ASS'Y	1
2	695-81310-G0	BASE ASS'Y	1	12	97801-05025	. . SCREW	2
3	695-81309-70	. BASE, magneto	1	13	648-81365-00	PACKING	1
4	677-81311-10	. COIL, ignition	1	14	90179-12M04	NUT	1
5	97801-05025	. SCREW 1	2	15	90201-13M42	WASHER	1
6	650-81321-10	. CONTACT BREAKER ASS'Y	2	16	648-81362-00	COVER, hole	1
7	164-81246-21	. SCREW, panhead	4	17	97313-06012	BOLT	3
8	647-81325-11	. CONDENSER	2	18	92903-06200	WASHER	3
9	207-81331-10	. LUBRICATOR	2	19	90280-05013	KEY, woodruff	1
10	695-81315-10	. LEAD WIRE ASS'Y	1				

Fig. 20 ELECTRIC PARTS (~~C.D.I. TYPE~~)

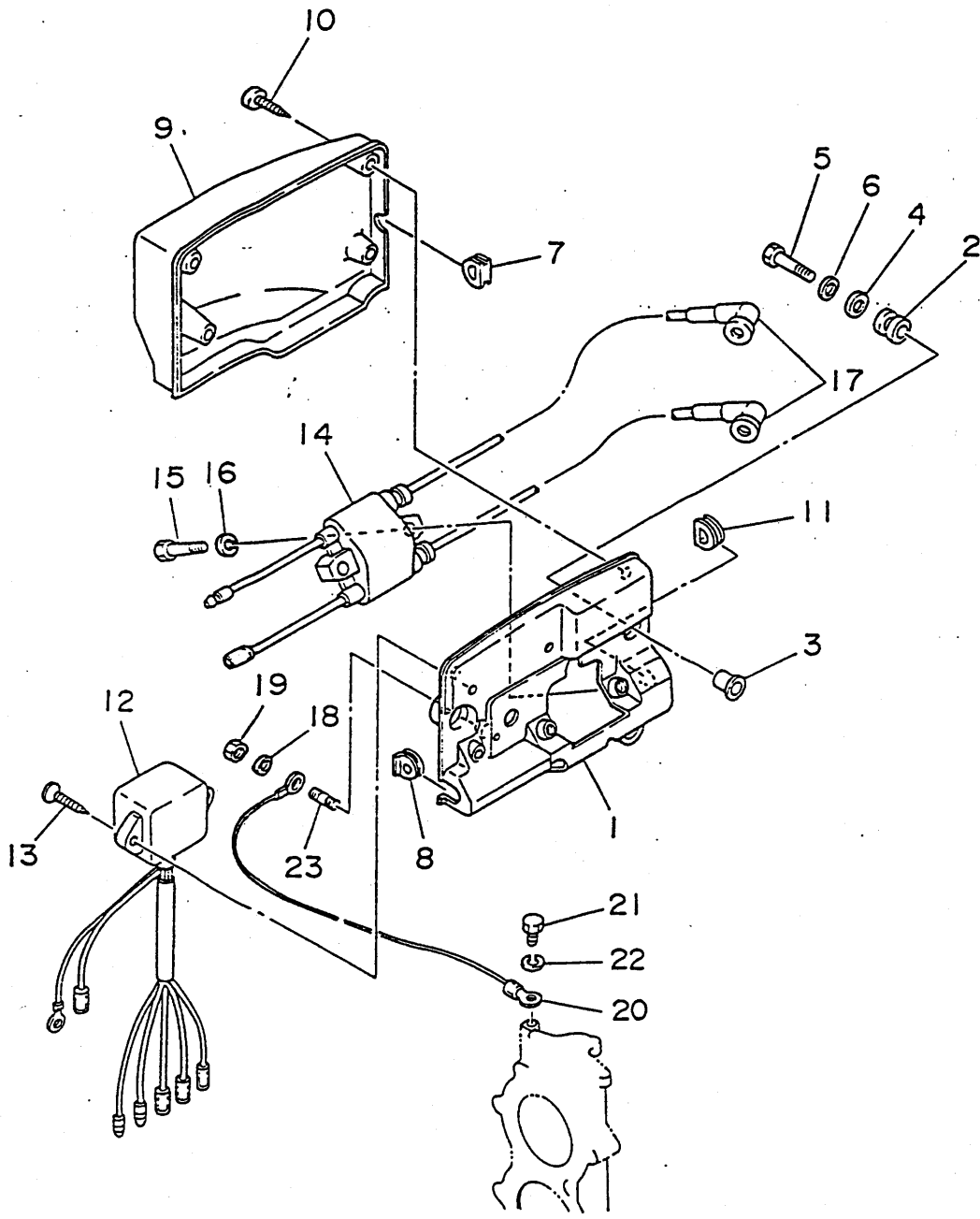


Fig. 20 ELECTRIC PARTS ~~(C.D.I. TYPE)~~

Ref.No.	Parts No.	Description	Q'ty	Ref.No.	Parts No.	Description	Q'ty
1	6G0-85542-00	BRACKET	1	13	90164-06M01	SCREW	2
2	6A0-82317-00	DAMPER	3	14	6E7-85570-19	IGNITION COIL ASS'Y	1
3	624-42542-00	PIPE	3	15	97313-06025	BOLT	2
4	90201-06050	WASHER	3	16	92990-06600	WASHER	2
5	97313-06030	BOLT	2	17	663-82370-01	PLUG CAP ASS'Y	2
6	92990-06600	WASHER	2	18	92990-06100	WASHER	1
7	6G0-81922-00	GROMMET	1	19	95303-06600	NUT	1
8	6F5-81922-00	GROMMET	1	20	6G0-82519-00	WIRE, earth lead	1
9	6G0-81916-00	COVER, terminal	1	21	97313-06012	BOLT	1
10	90164-06M01	SCREW	4	22	92990-06100	WASHER	1
11	6G0-81922-00	GROMMET	1	23	90116-06M24	BOLT, stud	1
12	6G0-85540-11	C.D.I. MAGNETO ASS'Y	1				

Fig. 21 ELECTRIC PARTS (POINT TYPE)

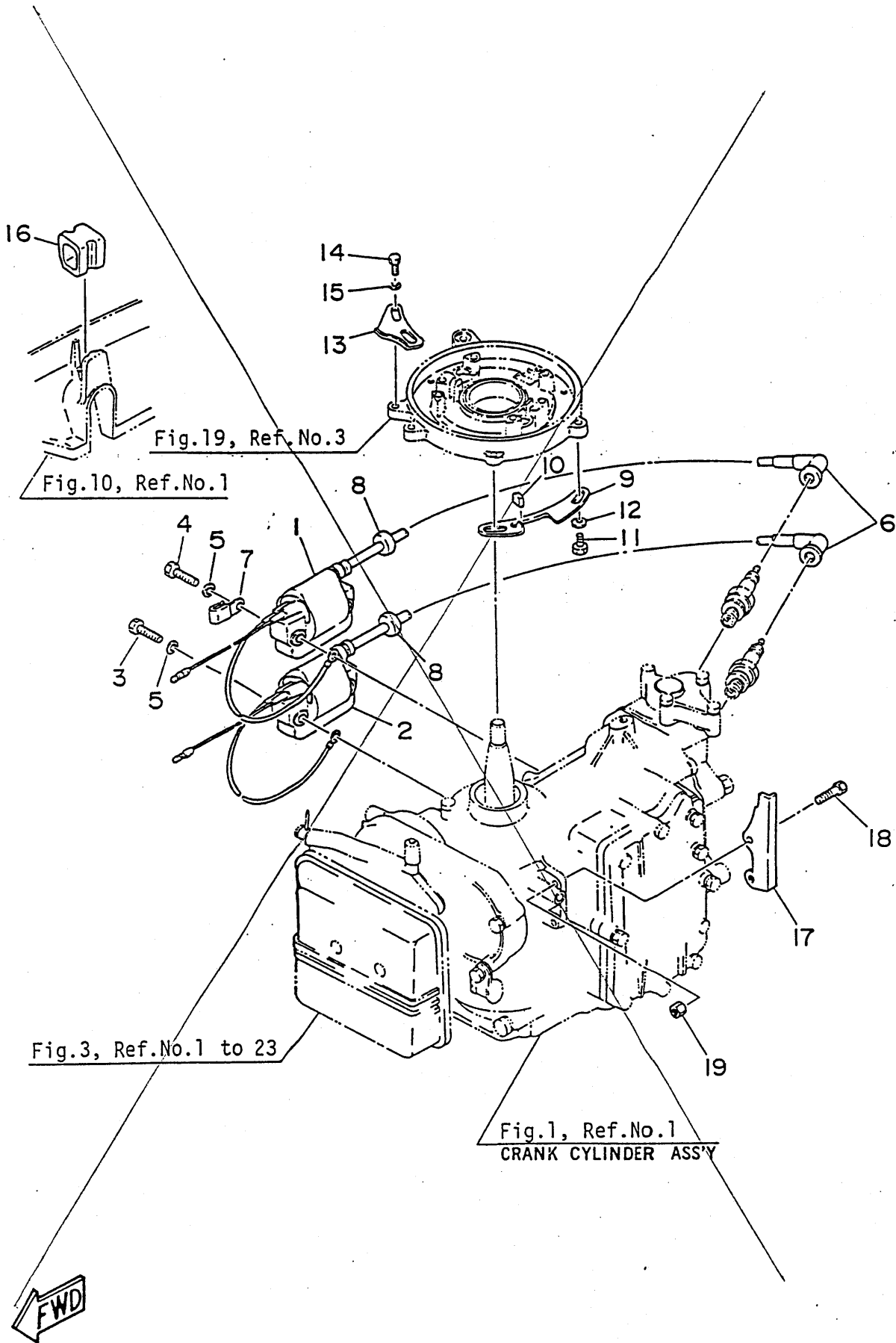


Fig. 21 ELECTRIC PARTS (POINT TYPE)

Ref.No.	Parts No.	Description	Q'ty	Ref.No.	Parts No.	Description	Q'ty
1	694-82310-11	IGNITION COIL ASS'Y 1	1	11	97313-06012	BOLT	2
2	694-82320-11	IGNITION COIL ASS'Y 2	1	12	92903-06600	WASHER	2
3	97395-06030	BOLT	3	13	648-41213-00-94	CAM, accel.	1
4	97395-06035	BOLT	1	14	97313-05012	BOLT	2
5	92990-06100	WASHER	4	15	92903-05600	WASHER	2
6	663-82370-01	PLUG CAP ASS'Y	2	16	90480-17M08	GROMMET	1
7	90461-06M00	CLAMP	1	17	648-41616-00	STOPPER, magneto base	1
8	90480-25161	GROMMET	2	18	97313-06020	BOLT	2
9	694-41615-00	STOPPER, magneto base 1	1	19	95303-06600	NUT	2
10	695-44194-00	CAP	1				

Fig. 22 REMOTE CONTROL

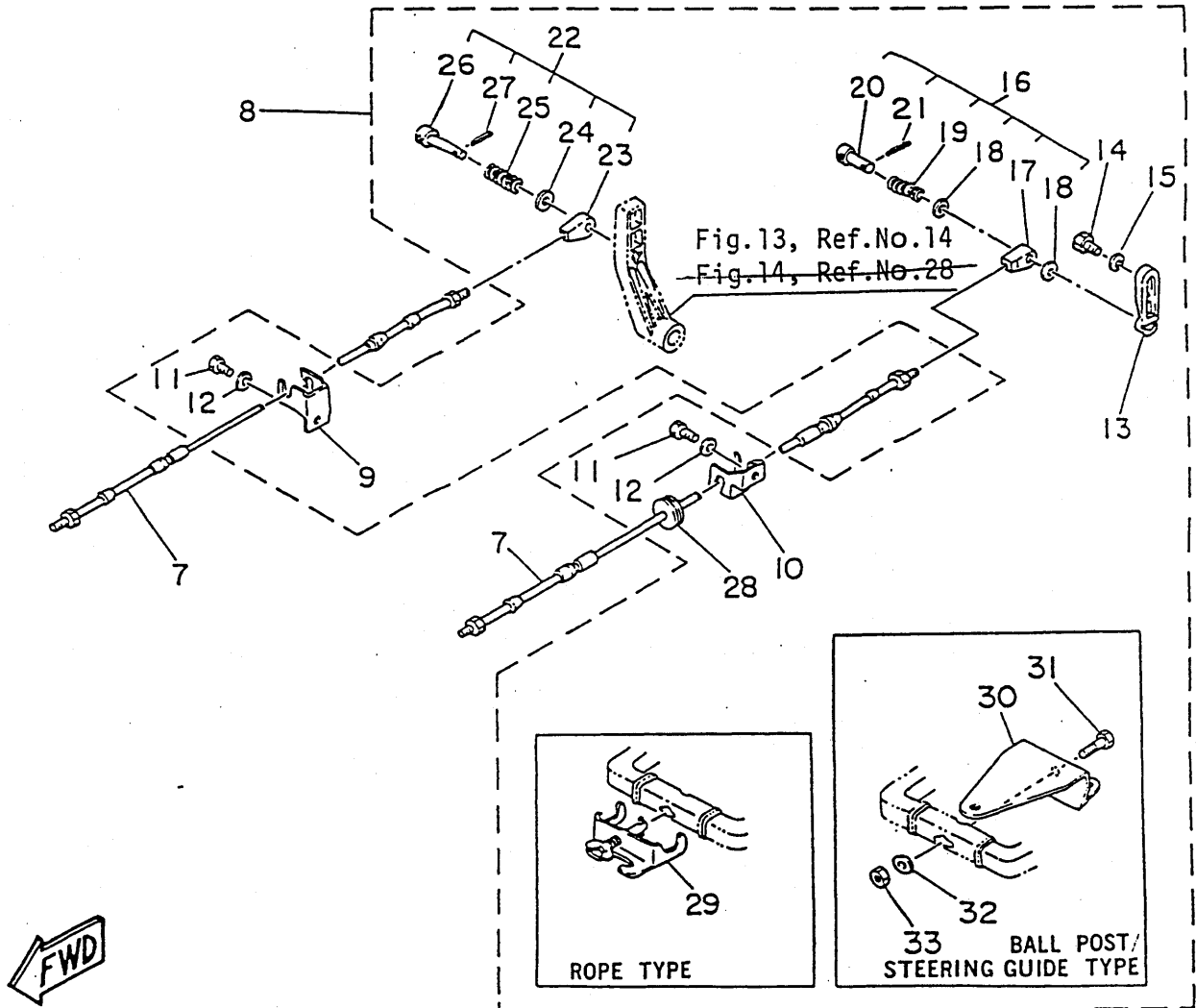
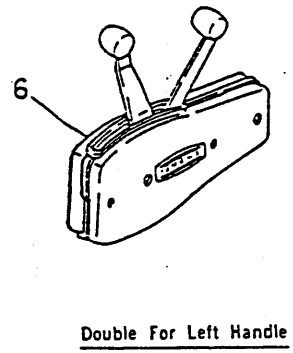
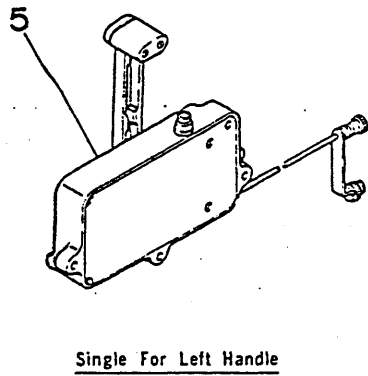
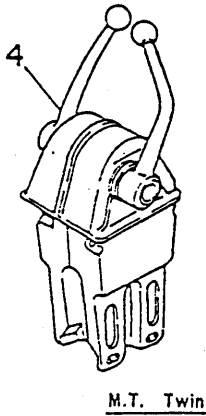
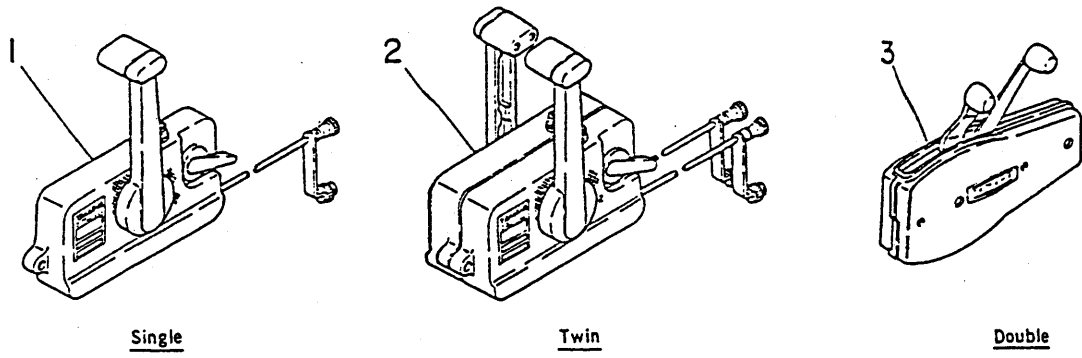


Fig. 22 REMOTE CONTROL

Ref.No.	Parts No.	Description	Q'ty	Ref.No.	Parts No.	Description	Q'ty
REMOTE CONTROL				9	656-48531-50	. BRACKET, remote control 1	1
▲ 1	701-48101-10	REMOTE CONTROL ASS'Y 1	1 U.R.	10	656-48532-50	. BRACKET, remote control 2	1
▲ 2	701-48110-22	REMOTE CONTROL ASS'Y 2	1 U.R.	11	97395-06016	. BOLT	2
3	701-48110-31	REMOTE CONTROL ASS'Y 3	1 U.R.	12	92990-06600	. WASHER	2
4	701-48110-80	REMOTE CONTROL ASS'Y 8	1 U.R.	13	648-48534-50- ^{KA} EA	. THROTTLE LEVER, control	1
▲ 5	701-48102-10	REMOTE CONTROL ASS'Y 1	1 U.R.	14	97395-06012	. BOLT	1
6	701-48120-31	REMOTE CONTROL ASS'Y 3	1 U.R.	15	92990-06600	. WASHER	1
7	701-48310-40	CABLE, remote control 8F	2 U.R.	16	648-48340-50	. CABLE END ASS'Y (Throttle)	1
	701-48310-60	CABLE, remote control 9F	2 U.R.	17	617-48346-90	. . CABLE END, remote control	1
	701-48310-80	CABLE, remote control 10F	2 U.R.	18	92990-08200	. . WASHER	2
	701-48310-90	CABLE, remote control 11F	2 U.R.	19	90501-10264	. . SPRING, compression	1
	701-48320-00	CABLE, remote control 12F	2 U.R.	20	617-48361-90	. . HOOK, cable	1
	701-48320-20	CABLE, remote control 13F	2 U.R.	21	91690-30012	. . PIN, spring	1
	701-48320-30	CABLE, remote control 14F	2 U.R.	22	648-48330-50	. CABLE END ASS'Y (Shift)	1
	701-48320-50	CABLE, remote control 15F	2 U.R.	23	648-48346-50	. . CABLE END, remote control	1
	701-48320-60	CABLE, remote control 16F	2 U.R.	24	92990-08200	. . WASHER	1
	701-48320-80	CABLE, remote control 17F	2 U.R.	25	90501-10071	. . SPRING, compression	1
	701-48320-90	CABLE, remote control 18F	2 U.R.	26	617-48331-90	. . HOOK, cable 1	1
	701-48320-40	CABLE, remote control 19F	2 U.R.	27	91690-30012	. . PIN, spring	1
	701-48320-70	CABLE, remote control 20F	2 U.R.	28	90480-22039	. GROMMET	1
	701-48350-00	CABLE, remote control 21F	2 U.R.	ROPE TYPE			
	701-48350-10	CABLE, remote control 22F	2 U.R.	29	700-48510-12	. STEERING HOOK ASS'Y	1
	701-48350-20	CABLE, remote control 23F	2 U.R.	BALL POST/STEERING GUIDE TYPE			
8	689-48501-01- ^{KA} EA	ATTACHMENT ASS'Y (Rope Type) (Ref. No. 9 to 29)	1	30	689-48511-00	. HOOK STEERING	1
	689-48501-21- ^{KA} EA	ATTACHMENT ASS'Y (Ball Post / Steering Guide Type) (Ref. No. 9 to 28, 30 to 33)	1	31	97375-10040	. BOLT	1
				32	92990-10600	. WASHER	1
				33	90185-10051	. NUT, self-locking	1

▲ See Fig. 23 for detail service parts.

Fig. 23 REMOTE CONTROL ASS'Y

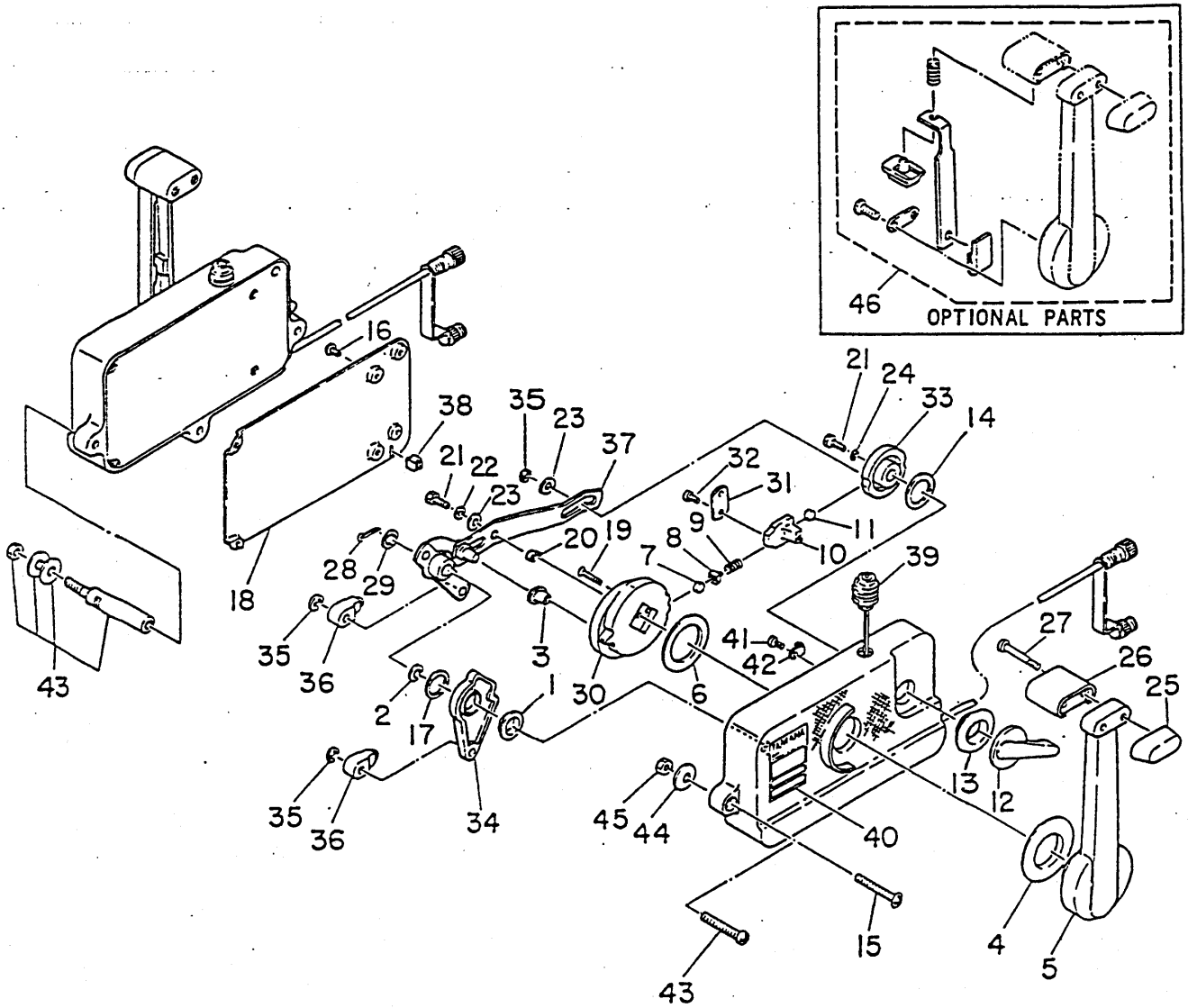


Fig. 23 REMOTE CONTROL ASS'Y

Ref.No.	Parts No.	Description	Q'ty Single Twin	Ref.No.	Parts No.	Description	Q'ty Single Twin
	701-48101-10	REMOTE CONTROL ASS'Y 1 (Right) (See Fig. 22, Ref. No. 1)	1 -	23	701-48246-00	. SPACER 1	2 4
	701-48102-10	REMOTE CONTROL ASS'Y 1 (Left) (See Fig. 22, Ref. No. 5)	1 -	24	92990-06300	. WASHER, internal tooth	1 2
	701-48110-22	REMOTE CONTROL ASS'Y 2 (See Fig. 22, Ref. No. 2)	- 1	25	702-48229-00	. GRIP, control lever 2	1 2
1	701-48235-00	. BUSHING 2	1 2	26	701-48222-00	. GRIP, control lever 1	1 2
2	701-48197-10	. WASHER, wave 2	1 2	27	701-48282-00	. SCREW 2 (M5X50mm)	2 4
3	701-48252-00	. ROLLER, cam	1 2	28	701-48239-00	. SET PIN, plate	1 2
4	701-48234-00	. BUSHING 1	1 2	29	701-48266-00	. SPACER 2	1 2
5	701-48221-00	. LEVER, control	1 2	30	701-48232-00	. GEAR 1	1 2
6	701-48196-11	. WASHER, wave 1	1 2	31	701-48189-11	. RETAINER	1 2
7	701-48236-00	. ROLLER, detent	1 2	32	98580-05010	. SCREW, panhead	2 4
8	702-48237-00	. ADAPTOR	1 2	33	701-48153-12	. SHAFT, free accel.	1 2
9	702-48238-00	. SPRING, detent	1 2	34	701-48271-00	. ARM, shift (Right)	1 1
10	701-48249-00	. ADAPTOR, spring	1 2		701-48271-10	. ARM, shift (Left)	1 1
11	701-48248-00	. ROLLER, free accel.	1 2	35	93430-06024	. CIRCLIP	3 6
12	701-48152-11	. KNOB, free accel. (Right)	1 1	36	701-48345-30	. CABLE END, remote control 2	2 4
	701-48152-20	. KNOB, free accel. (Left)	1 1	37	701-48261-00	. ARM, throttle (Right)	1 1
13	701-48243-00	. BUSHING 3	1 2		701-48261-10	. ARM, throttle (Left)	1 1
14	701-48198-10	. WASHER, wave 3	1 2	38	701-48358-00	. ANCHOR, cable 2	1 2
15	701-48281-00	. SCREW 1	3 -	39	701-82550-50	. STOP SWITCH ASS'Y	1 2
16	701-48289-00	. SCREW 4	4 8	40	701-48126-00	. GRAPHIC	1 2
17	701-48268-00	. SPACER 3	1 2	41	701-48283-00	. SCREW 3 (M4X10mm)	1 2
18	701-48213-00	. BACK PLATE	1 2	42	701-82594-00	. CLAMP	1 2
19	92780-06025	. SCREW, flathead	2 4	43	701-48291-00	. ATTACHMENT	- 1
20	701-48255-00	. COLLAR 1	1 2	44	701-48287-00	. WASHER	3 -
21	97395-06018	. BOLT	2 4	45	95380-06600	. NUT	3 -
22	702-48288-00	. WASHER, plain	1 2			OPTIONAL PARTS	
				46	701-48280-00	NEUTRAL LOCK KIT	1 2

Fig. 24 STEERING GUIDE ATTACHMENT

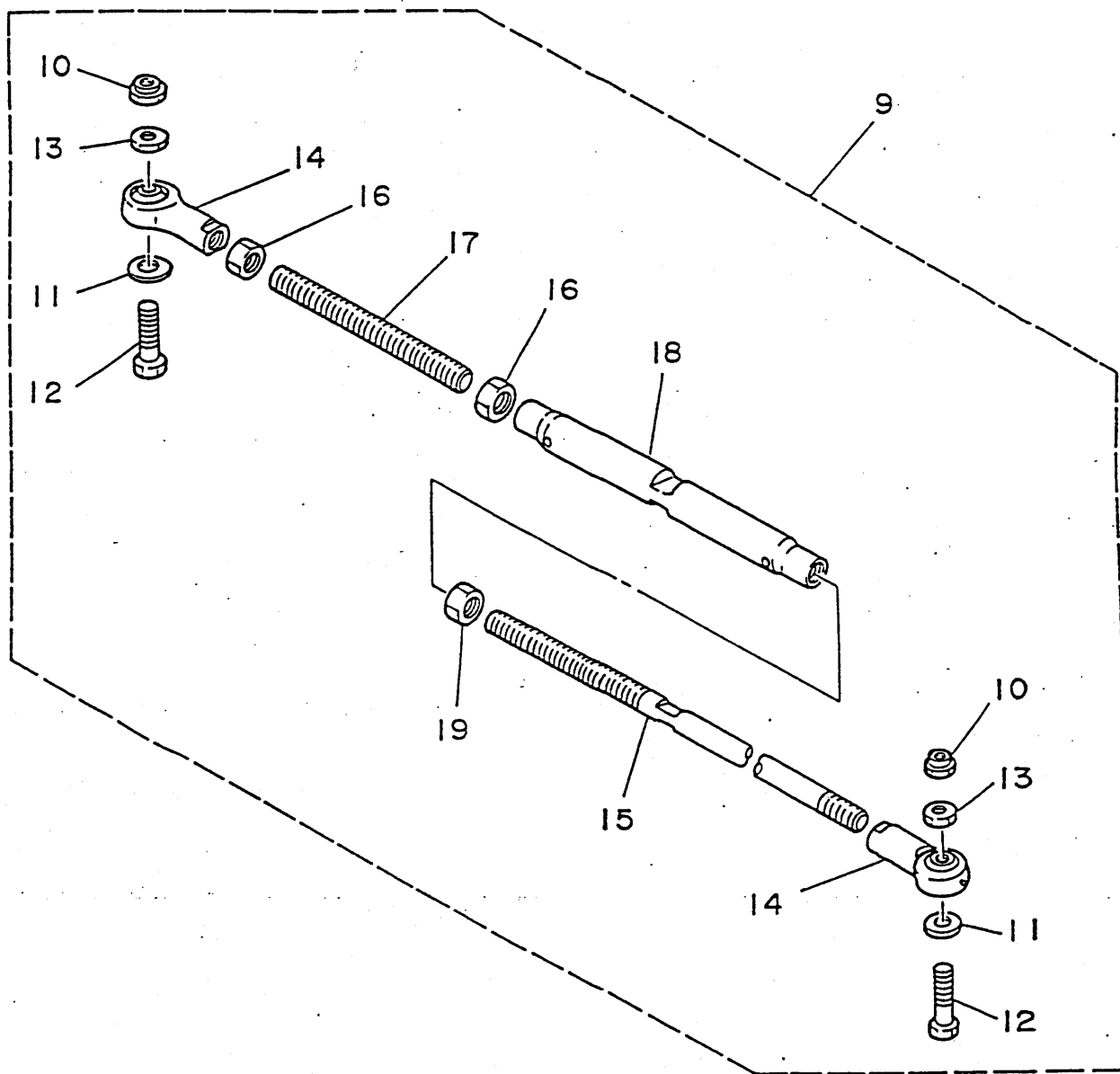
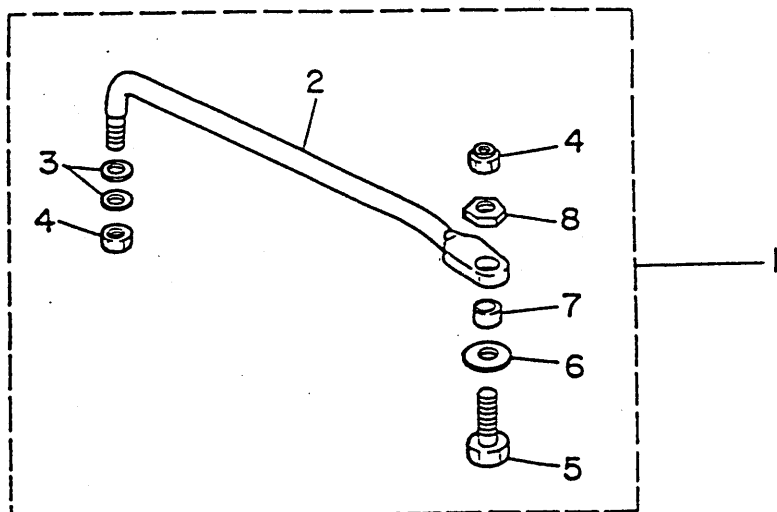


Fig. 24 STEERING GUIDE ATTACHMENT

Ref.No.	Parts No.	Description	Q'ty	Ref.No.	Parts No.	Description	Q'ty
1	689-61350-01	STEERING GUIDE ATTACHMENT KIT	1	11	90201-10M76	. WASHER	2
2	689-61351-01	. ROD, steering link	1	12	90101-09M70	. BOLT	2
3	90201-10M20	. WASHER	2	13	90170-09M05	. NUT	2
4	90185-09M01	. NUT, self-locking	2	14	6E5-61303-00	. STEERING EYE COMP.	2
5	90101-09M66	. BOLT	1	15	688-61311-11	. TIE BAR 1	1
6	90201-10M63	. WASHER	1	16	95380-14700	. NUT	2
7	90387-10M42	. COLLAR	1	17	6E5-61315-00	. TIE BAR 2	1
8	90170-09M03	. NUT	1	18	6E5-61313-00	. ADJUSTER	1
9	688-61301-01	TWIN KIT	1	19	90170-14M06	. NUT	1
10	90185-09M01	. NUT, self-locking	2				

Fig. 25 OPTIONAL PARTS I

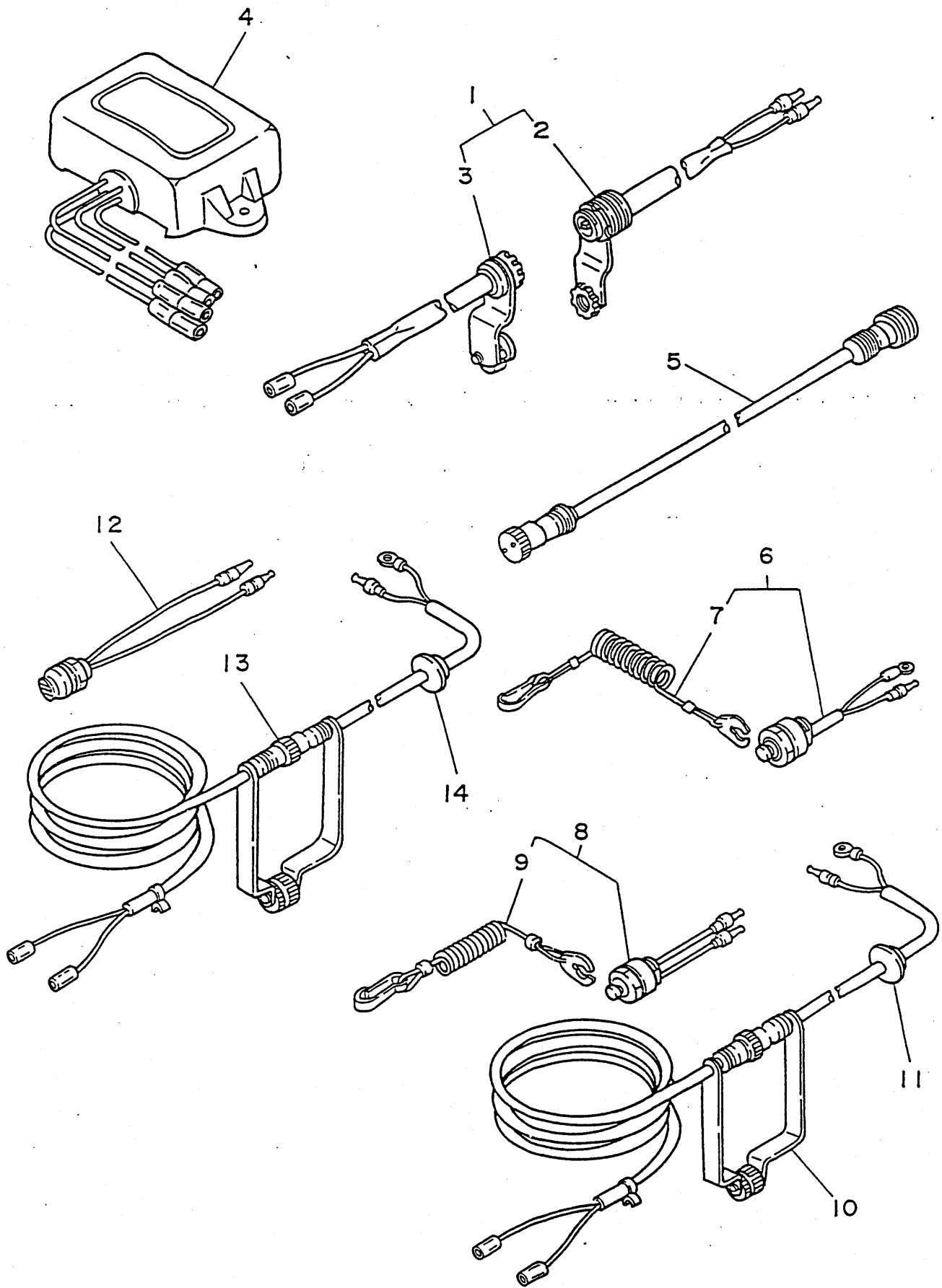


Fig. 25 OPTIONAL PARTS 1

Ref.No.	Parts No.	Description	Q'ty	Ref.No.	Parts No.	Description	Q'ty
		CONCENT 2P				KILL SWITCH (5m)	
1	682-84380-00	CONCENT 2P ASS'Y	1	8	689-82575-12	KILL SWITCH ASS'Y	1
2	682-84381-00	. 2P CONCENT 1	1	9	682-82556-00	. STOPPER ASS'Y	1
3	682-84382-00	. 2P CONCENT 2	1	10	689-82553-20	EXTENSION, wire lead (5m)	1
		VOLTAGE REGULATOR		11	689-42725-40	GROMMET 4	1
4	663-81910-10	VOLTAGE REGULATOR ASS'Y	1			STOP SWITCH (5m)	
		EXTENSION WIRE		12	689-82550-11	STOP SWITCH ASS'Y	1
5	689-82553-10	EXTENSION, wire lead (2m) (For Stop Switch)	1	13	689-82553-20	EXTENSION, wire lead (5m)	1
		KILL SWITCH		14	689-42725-40	GROMMET 4	1
6	689-82575-00	KILL SWITCH ASS'Y	1				
7	682-82556-00	. STOPPER ASS'Y	1				

Fig. 26 OPTIONAL PARTS 2

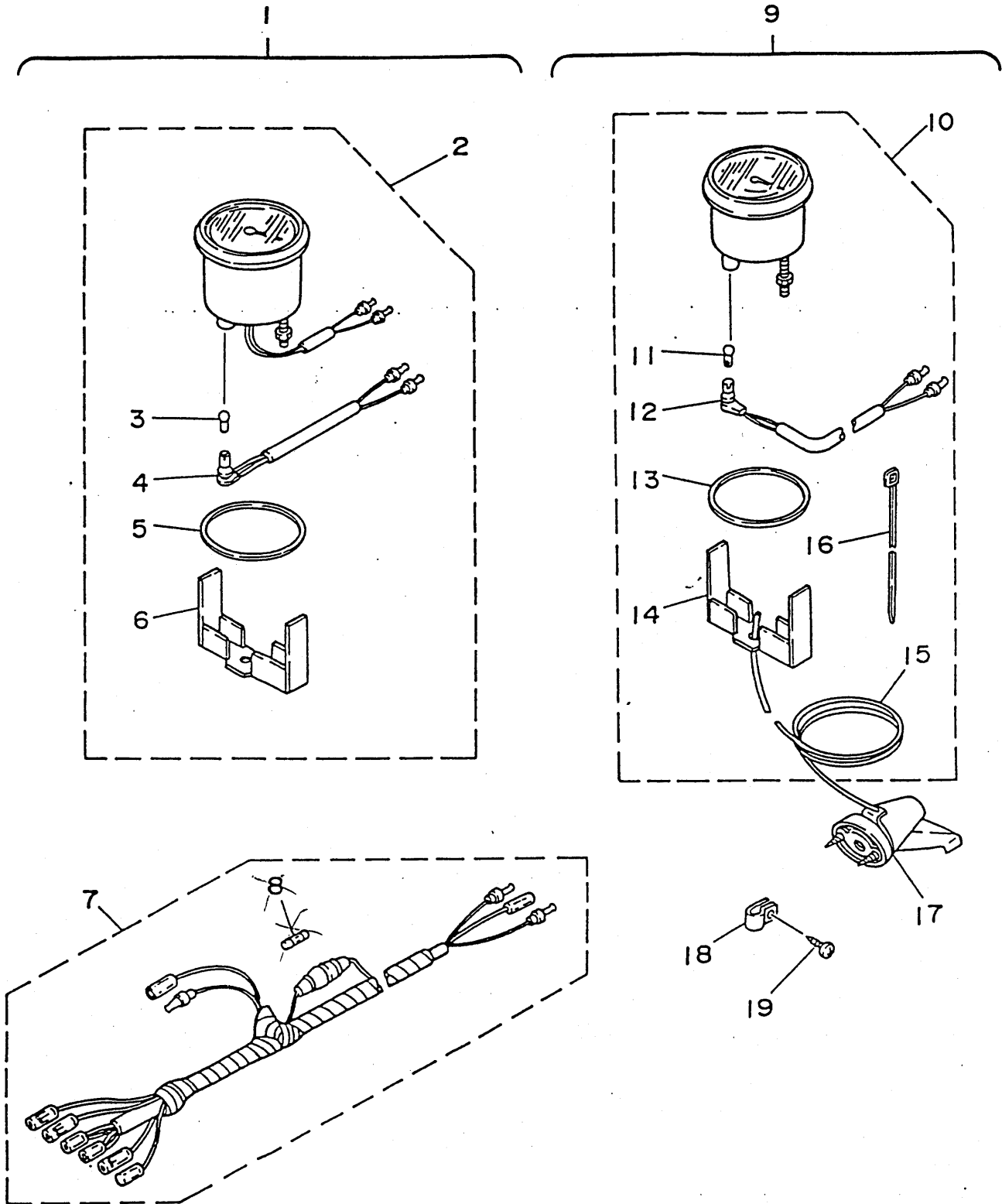


Fig. 26 OPTIONAL PARTS 2

Ref.No.	Parts No.	Description	Q'ty	Ref.No.	Parts No.	Description	Q'ty
1	6Y5-W0080-10 ⁷⁰	TACHOMETER KIT	1	11	688-83516-00	. . BULB (12V-1.7W)	1
2	6Y5-83540-10 ⁷⁰	. TACHOMETER KIT ASS'Y	1	12	688-83536-00	. . SOCKET, meter	1
3	688-83516-00	. . BULB (1.2V-1.7W)	1	13	6Y5-83523-00	. . DAMPER	1
4	688-83536-00	. . SOCKET, meter	1	14	6Y5-83514-00	. . PLATE, fitting	1
5	6Y5-83523-00	. . DAMPER	1	15	688-83557-00	. . TUBE	1
6	6Y5-83514-00	. . PLATE, fitting	1	16	90465-11M10	. . CLAMP	2
7	6Y5-82553-00 ¹⁰	. WIRE, lead	1	17	688-83556-01	. SENDER	1
8	1E6-82151-00	. . FUSE (6V-10A)	1	18	90601-31402	. CLIP, nylon 14	5
9	6Y5-W0081-40	SPEEDOMETER KIT	1	19	97780-40116	. SCREW, panhead tapping	5
10	6Y5-83510-30	. SPEEDOMETER ASS'Y	1				

Fig. 27 REPAIR KIT

Ref.No.	Parts No.	Description	Q'ty	Ref.No.	Parts No.	Description	Q'ty
1	6G0-W0093-00	CARBURETOR REPAIR SET	1	36	626-44365-01	. DAMPER, water seal 1	1
2	648-14198-00	. GASKET	1	37	93101-20048	. OIL SEAL	2
3	648-14384-01	. GASKET, float chamber	1	38	93210-14106	. O-RING	1
4	648-14385-00	. FLOAT	1	39	93101-17054	. OIL SEAL	2
5	689-14386-00	. PIN, float	1	40	93210-45161	. O-RING	1
6	98503-04012	. SCREW, panhead	1	41	6G0-W0078-00	WATER PUMP REPAIR KIT	1
7	6G0-14390-14	. VALVE SEAT ASS'Y	1	42	694-44311-01	. HOUSING, water pump	1
8	647-14323-00	. SCREW, air adjusting	1	43	694-W4432-00	. INSERT CARTRIDGE COMP.	1
9	646-14397-00	. O-RING	1	44	6G0-44352-00	. IMPELLER	1
10	6G0-W0001-00 ^{R2}	POWER HEAD GASKET KIT	1	45	694-44324-00	. GASKET, cartridge	1
11	648-14198-00	. GASKET	1	46	694-44323-00	. OUTER PLATE, cartridge	1
12	6G0-14476-00	. SEAL	1	47	97375-06028	. BOLT	3
13	648-13645-00	. GASKET, intake manifold 1	1	48	626-44365-01	. RUBBER, water seal 1	1
14	648-13621-00	. PACKING, valve seat	1	49	656-44355-00	. PIN, impeller	1
15	648-14384-01	. GASKET, float chamber	1	50	656-W0072-01 ^{KA}	EXTENSION KIT (Long)	1
16	694-11181-00	. GASKET, cylinder head	1	51	656-45211-11 ^{KA}	EXTENSION	1
17	648-12414-01	. GASKET, cover	1	52	93606-12019	. PIN, dowel B	2
18	93102-23096	. OIL SEAL	1	53	97375-08030	. BOLT	4
19	648-15369-00	. GASKET, oil seal housing	1	54	92990-08100	. WASHER	4
20	6G0-41114-00	. GASKET, exhaust outer cover	2	55	92990-08600	. WASHER	4
21	93210-14167	. O-RING	1	56	656-44361-10	. TUBE, water 1	
22	93102-25M04	. OIL SEAL	1	57	656-44150-11	. SHIFT CAM ASS'Y	1
23	93104-14M03	. OIL SEAL	2	58	656-45511-10	. SHAFT, drive 1	1
24	93210-58M21	. O-RING	1	59	656-W0074-01 ^{KA}	EXTENSION KIT (Super Long)	1
25	656-45113-00	. GASKET, upper casing	1	60	656-45211-22 ^{KA}	EXTENSION	1
26	90430-09025	. GASKET	1	61	93606-12019	. PIN, dowel B	2
27	648-44365-00	. RUBBER, water seal 1	1	62	97375-08030	. BOLT	4
28	655-24564-00	. PAKING, filter	1	63	92990-08100	. WASHER	4
29	93210-37M25	. O-RING	1	64	92990-08600	. WASHER	4
30	650-24431-00	. GASKET, fuel pump	1	65	650-45318-00	. BUSHING, drive shaft 3	1
31	694-W0001-21 ^{R2}	LOWER UNIT GASKET KIT	1	66	93420-30042	. CIRCLIP	1
32	648-45314-00	. SEAL, lower casing 2	1	67	656-44361-20	. TUBE, water 1	1
33	90430-08020	. GASKET	3	68	656-44150-21	. SHIFT CAM ASS'Y	1
34	90430-06015	. GASKET, detent screw	1	69	656-45511-20	. SHAFT, drive 1	1
35	694-44324-00	. GASKET, cartridge	1				

NUMERICAL INDEX

Parts No.	Ref. No.	Parts No.	Ref. No.	Parts No.	Ref. No.	Parts No.	Ref. No.	Parts No.	Ref. No.
1E6-82151-00	26- 8	6G0-11636-00	2-14	6G0-81916-00	20- 9	626-45943-02-EL	17-13	648-41635-00	14-10
164-81246-21	19- 7	6G0-11651-01	2- 6	6G0-81922-00	20- 7	626-45949-01-EL	17-13	648-41636-01	14- 9
207-81331-10	19- 9	6G0-11681-01	2- 9		20-11	626-45949-60-EL	17-13	648-42169-01	14-14
6A0-15762-00	6-26	6G0-14301-00	4- 1	6G0-82519-00	20-20	646-14212-01	4-14	648-42528-00	11- 7
6A0-15789-00	6-27	6G0-14390-14	27- 7	6G0-85509-70	18- 3	646-14223-01	4-21	648-43615-00	11-47
6A0-24410-02	8-32	6G0-14417-00	3- 1	6G0-85520-70	18- 4		5-27	648-43617-00	11-45
6A0-24413-00	8-42	6G0-14418-00	3- 2	6G0-85540-11	20-12	646-14394-00	4-20	648-43642-00	11-43
6A0-24421-01	8-37	6G0-14476-00	3- 6	6G0-85542-00	20- 1		5-26	648-44142-00	13-18
6A0-82317-00	20- 2		27-12	6G0-85550-70	18- 1	646-14397-00	4-22		14-32
6A4-42681-00	9- 5	6G0-14497-00	13- 5	6G0-85560-60	18- 2		5-28	648-44143-00	13-31
6A9-14341-00	4- 8	6G0-14534-00	4-15	6G0-85580-70	18- 5		27- 9		14-46
6E0-28100-01	8-49	6G0-14737-00	15-11	6G1-24304-01	8-20	647-14323-00	4-13	648-44146-00	13-35
6E0-42677-00	9- 3	6G0-15100-60-94	1- 2	6G1-24305-00	8-12		5-13		14-47
6E0-45251-00	16-14	6G0-15359-00-94	1-22	6G1-42177-00	12-12		27- 8	648-44365-00	27-27
6E5-14386-01	4- 5	6G0-15710-01	6- 1	6J0-14390-14	4-10	647-81325-11	19- 8	648-44365-01	17- 9
	5- 5	6G0-15711-01	6- 2		5-10	648-11633-00	2-16	648-44518-01-9M	11-52
6E5-61303-00	24-14	6G0-15714-01	6- 3	6Y1-24167-00	8-10	648-12414-01	1-18	648-44519-00-94	11-58
6E5-61313-00	24-18	6G0-15754-00	6- 9	6Y1-24201-61-24	8- 1		27-17	648-44551-01-EJ	11-73
6E5-61315-00	24-17	6G0-15758-00-EJ	6-25	6Y1-24246-00	8- 2	648-13621-00	3-14	648-44552-01-EJ	11-74
6E7-81303-40	18- 6	6G0-15761-00	9- 9	6Y1-24254-60	8- 3		27-14	648-44591-00	11-67
6E7-81328-70	18-13	6G0-15771-00-94	6-29	6Y1-24257-00	8- 4	648-13641-01-94	3- 9	648-44593-00	11-81
6E7-85570-19	20-14	6G0-24311-00	8-31	6Y1-24260-01	8- 6	648-13645-00	3-11	648-45312-00-EJ	16- 4
6E9-82575-00	25- 6	6G0-24566-00	8-29	6Y1-24268-00	8- 7		27-13	648-45314-00	27-32
6F5-12411-01	1-16	6G0-26311-02	12-20	6Y1-24305-01	8-18	648-14198-00	3- 5	648-45316-09	16- 3
6F5-15713-00	6- 5	6G0-41111-00	1-28	6Y1-24306-05	8-11		27- 2	648-45560-01	16-47
6F5-15715-00	6- 6	6G0-41113-00-9M	1-26	6Y1-24329-00	8- 8		27-11	648-45567-00-02	16-46
6F5-15716-01	6- 8	6G0-41114-00	1-27	6Y1-24360-02	8-15	648-14321-00	4-12	648-45567-00-03	16-46
6F5-15723-01	6-17		27-20	6Y1-24610-00	8- 5		5-12	648-45570-01	16-56
6F5-15726-01	6-11	6G0-41131-00-9M	15- 6	6Y5-W0080-10	26- 1	648-14334-00	5-14	648-45577-00-13	16-57
6F5-15734-01	6- 7	6G0-41237-00	13-12	6Y5-W0081-40	26- 9	648-14341-00	5- 8	648-45577-00-15	16-57
6F5-15739-00	6-16	6G0-41612-00	18-19	6Y5-82553-00	26- 7	648-14342-30	4-11	648-45577-00-17	16-57
6F5-15741-01	6- 4	6G0-41631-01-94	13- 1	6Y5-83510-30	26-10		5-11	648-45611-01	16-54
6F5-15764-00	6-15	6G0-42137-00	12-13	6Y5-83514-00	26- 6	648-14343-70	4- 9	648-45633-00	16-49
6F5-24563-00	8-26	6G0-42154-00-94	13- 7		26-14		5- 9	648-45634-00	16-52
6F5-43114-00	11-24	6G0-42169-00	13-10	6Y5-83523-00	26- 5	648-14384-01	4- 3	648-45635-00	16-44
6F5-81922-00	20- 8	6G0-42610-00-EJ	9- 1		26-13		5- 3	648-45926-01-EL	17-13
6G0-W0001-00	27-10	6G0-42610-40-EJ	9- 1	6Y5-83540-10	26- 2		27- 3	648-45941-01-EL	17-13
6G0-W0070-00	9- 2	6G0-42615-00	9-10	606-42591-00	12-24		27-15	648-45941-61-EL	17-13
6G0-W0078-00	27-41	6G0-42647-00	9-11	616-43118-00-EJ	11-20	648-14385-00	4- 4	648-45943-61-EL	17-13
6G0-W0084-00-EJ	12- 1	6G0-42651-00	9-13	617-48331-90	22-26		5- 4	648-45945-61-EL	17-13
6G0-W0090-61-EJ	1- 1	6G0-42678-00	9- 4	617-48346-90	22-17		27- 4	648-48330-50	22-22
6G0-W0093-00	27- 1	6G0-42796-00	10- 4	617-48361-90	22-20	648-15369-00	1-24	648-48340-50	22-16
6G0-11111-00-94	1-13	6G0-43116-00	11-23	619-15755-01	6-14		27-19	648-48346-50	22-23
6G0-11400-01	2- 1	6G0-44352-00	16-26		7- 9	648-24312-01	8-48	648-48534-50-EJ	22-13
6G0-11412-10	2- 2		27-44	624-11379-00	1- 5	648-24411-00	8-33	648-81362-00	19-16
6G0-11422-00	2- 3	6G0-45135-00	15- 9	624-42542-00	20- 3	648-24423-00	8-35	648-81365-00	19-13
6G0-11432-00	2- 4	6G0-45214-00-EJ	16- 7	626-28193-01-94	8-50	648-24424-00	8-34	650-11370-00	1- 4
6G0-11442-00	2- 5	6G0-45215-00	16-16	626-44365-01	16-31	648-24434-00	8-36	650-14485-02	1- 3
6G0-11610-00	2-15	6G0-45279-00	16-17		27-36	648-24435-02	8-40	650-24351-01	8-17
6G0-11610-10	2-15	6G0-45300-00-EJ	16- 1		27-48	648-41210-01	5-15	650-24431-00	8-45
6G0-11610-20	2-15	6G0-45300-10-EJ	16- 1	626-45526-00	16-36	648-41213-00-94	21-13		27-30
6G0-11631-00-95	2-14	6G0-45311-00-EJ	16- 2	626-45533-00-03	16-39	648-41616-00	21-17	650-44147-00	16-19
6G0-11635-00	2-14	6G0-45361-00-94	16-60	626-45533-00-04	16-39	648-41631-00-94	14- 1	650-45318-00	15-23

NUMERICAL INDEX

Parts No.	Ref. No.	Parts No.	Ref. No.	Parts No.	Ref. No.	Parts No.	Ref. No.	Parts No.	Ref. No.
650-45318-00	27-65	656-45511-00	16-32	688-83536-00	26-12	689-82550-01	10-17	701-48152-20	23-12
650-45321-00	16-22	656-45511-10	16-32	688-83556-01	26-17	689-82550-11	25-12	701-48153-12	23-33
650-45616-01	17-11		27-58	688-83557-00	26-15	689-82553-10	25- 5	701-48189-11	23-31
650-45941-01-EL	17-13	656-45511-20	16-32	689-W0004-00	3-13	689-82553-20	25-10	701-48196-11	23- 6
650-45941-60-EL	17-13		27-69	689-13610-00	3-12		25-13	701-48197-10	23- 2
650-81321-10	19- 6	656-45631-00	16-50	689-14381-01	4- 2	689-82575-12	25- 8	701-48198-10	23-14
653-45941-01-EL	17-13	656-45943-61-EL	17-13	689-14386-00	27- 5	694-W0001-21	27-31	701-48213-00	23-18
655-24521-01	8-28	656-48531-50	22- 9	689-15710-00	7- 1	694-W0078-0A	16-64	701-48221-00	23- 5
655-24560-01	8-25	656-48532-50	22-10	689-15758-01-94	7- 4	694-W0084-00-EJ	12- 1	701-48222-00	23-26
655-24564-00	27-28	661-41262-02	3-21	689-15761-00	9- 9	694-W4432-00	16-24	701-48232-00	23-30
656-W0072-01-EJ	15-12		5-18	689-15762-01	7- 7		27-43	701-48234-00	23- 4
	27-50	663-24411-00	8-41	689-15779-01	6-28	694-W4432-40	16-66	701-48235-00	23- 1
656-W0074-01-EJ	15-12	663-43145-00	11-28		7-11	694-11181-00	1-14	701-48236-00	23- 7
	27-59	663-45119-00	11- 6	689-15789-00	7- 8		27-16	701-48239-00	23-28
656-W0079-00	7-36	663-81910-10	25- 4	689-26311-02	12-20	694-14301-02	5- 1	701-48243-00	23-13
656-11325-01	1-11	663-82370-01	20-17	689-41216-00	5-19	694-15396-00-9M	1-37	701-48246-00	23-
656-11515-00	2-10		21- 6	689-41252-01	3-19	694-41615-00	21- 9	701-48248-00	23- 1
656-12413-01-9M	1-19	664-14327-00	5-16	689-41273-00	3-22	694-42111-00-EJ	12- 2	701-48249-00	23-10
656-14497-00	14- 5	664-14381-01	5- 2	689-42112-00-EJ	12- 7	694-44121-00	13-27	701-48252-00	23- 3
656-15748-00	7-37	664-41231-00	5-23	689-42138-00	12-16		14-40	701-48255-00	23-20
656-15749-00	7-42	664-42119-00	12-11	689-42521-00-94	11-11	694-44125-00	13-28	701-48261-00	23-37
656-15770-00	7-39	664-42715-00	13-24	689-42613-00-EJ	9- 6		14-41	701-48261-10	23-37
656-15771-00-94	7-31		14-36	689-42711-00-EJ	10- 1	694-44311-01	16-23	701-48266-00	23-29
656-15772-00-94	6-30	664-44113-01	13-15	689-42716-00	11-55		27-42	701-48268-00	23-17
	7-32		14-29	689-42718-00	11-57	694-44323-00	16-28	701-48271-00	23-34
656-15774-00	7-50	664-44167-00	13-23	689-42725-00	10-16		27-46	701-48271-10	23-34
656-41241-00	5-17		14-37	689-42725-40	25-11	694-44323-40	16-68	701-48280-00	23-46
656-42126-01	12-25	664-44514-00-94	11-68		25-14	694-44324-00	16-27	701-48281-00	23-15
656-42153-00-94	13-13	664-44591-00	11-72	689-42815-00	10- 9		27-35	701-48282-00	23-27
	14-21	676-15705-00	7-22	689-42816-00	10-12		27-45	701-48283-00	23-41
656-42154-00-94	14-19	676-15711-00-94	7- 2	689-43111-01-EJ	11-18	694-44555-00	11- 9	701-48287-00	23-44
656-42511-01-EJ	11- 1	676-15714-00-94	7-12	689-43112-01-EJ	11-19	694-44557-00	11-78	701-48289-00	23-16
656-43165-01	11-37	676-15717-00	7-15	689-43131-00	11-25	694-45551-00	16-41	701-48291-00	23-43
656-44150-01	16-18	676-15741-03	7-20	689-43191-00	11-29	694-82310-11	21- 1	701-48310-40	22- 7
656-44150-11	16-18	676-15773-00	7-23	689-43192-01	11-30	694-82320-11	21- 2	701-48310-60	22-
	27-57	676-15799-01	7-19	689-43311-02-EJ	11- 4	695-41256-00	3-20	701-48310-80	22- 7
656-44150-21	16-18	676-45314-00	16- 5	689-43373-01	11- 8	695-41611-00-94	14-25	701-48310-90	22- 7
	27-68	677-81303-60	19-11	689-43614-00	11-48	695-41612-00	14-26	701-48320-00	22- 7
656-44355-00	16-33	677-81311-10	19- 4	689-43616-00	11-42	695-41613-00	14-27	701-48320-20	22- 7
	27-49	682-41271-00	3-18	689-43631-00	11-39	695-44194-00	21-10	701-48320-30	22- 7
656-44361-00	17- 7	682-42724-00	10-15	689-43633-00	11-40	695-81309-70	19- 3	701-48320-40	22- 7
656-44361-10	17- 7	682-43160-01	11-36	689-43643-00	11-41	695-81310-60	19- 2	701-48320-50	22- 7
	27-56	682-82556-00	25- 7	689-44111-00-EJ	13-14	695-81315-10	19-10	701-48320-60	22- 7
656-44361-20	17- 7		25- 9		14-28	695-81350-F0	19- 1	701-48320-70	22- 7
	27-67	682-84380-00	25- 1	689-44322-40	16-65	700-48510-12	22-29	701-48320-80	22- 7
656-45111-01-EJ	15- 1	682-84381-00	25- 2	689-44367-00	16-25	701-48101-10	22- 1	701-48320-90	22- 7
656-45113-00	15- 2	682-84382-00	25- 3		16-67	701-48102-10	22- 5	701-48345-30	23-36
	27-25	638-45341-00	16-10	689-44516-00	11-62	701-48110-22	22- 2	701-48350-00	22- 7
656-45211-11-EJ	15-13	688-61301-01	24- 9	689-48501-01-EJ	22- 8	701-48110-31	22- 3	701-48350-10	22- 7
	27-51	688-61311-11	24-15	689-48501-21-EJ	22- 8	701-48110-80	22- 4	701-48350-20	22- 7
656-45211-22-EJ	15-18	688-83516-00	26- 3	689-48511-00	22-30	701-48120-31	22- 6	701-48358-00	23-38
	27-60		26-11	689-61350-01	24- 1	701-48126-00	23-40	701-82550-50	23-39
656-45251-00	17- 5	688-83536-00	26- 4	689-61351-01	24- 2	701-48152-11	23-12	701-82594-00	23-42

NUMERICAL INDEX

Parts No.	Ref. No.	Parts No.	Ref. No.	Parts No.	Ref. No.	Parts No.	Ref. No.	Parts No.	Ref. No.
702-48229-00	23-25	90201-12472	18-18	90387-06568	7-49	91690-30016	11-31	92990-06600	6-33
702-48237-00	23- 8	90201-13M42	19-15	90387-08M25	10- 3	91690-40016	13-29		8-22
702-48238-00	23- 9	90201-14482	16-48	90387-09074	11-33		14-42		8-47
702-48288-00	23-22	90201-17485	16-55	90387-10M39	11-54	91690-40018	14-22		9- 8
90101-08339	11-32	90201-18522	2-19	90387-10M42	24- 7	91690-40020	7- 3		11-61
90101-09M66	24- 5	90201-21567	1-17	90430-06M03	16-13		7-13		11-64
90101-09M70	24-12	90201-22428	11-26	90430-06015	27-34	91690-40025	13- 8		12-10
90105-06M01	16- 6	90201-28M28	12- 5	90430-08M01	15-10	91690-40048	3-23		16-21
90105-06M07	11- 2	90201-50306	1-33	90430-08020	16-11	92280-06018	17- 5		20- 6
	13-17	90202-06007	13-19		27-33	92590-06010	16-20		20-16
	14-31		13-22	90430-09025	15- 7	92780-06015	15- 8		22-12
90105-06M08	11-56		13-32		27-26	92780-06025	23-19		22-15
90105-06M09	1-25		14-33	90445-07M08	1- 6	92880-10200	11-65	92990-08100	15-16
90105-06M18	11-10		14-34	90445-09094	8-23	92901-05100	18-12		15-21
90105-06M02	11-77		14-43	90445-11M05	8-16	92902-04100	18-15		17- 3
90105-08M03	11-75	90202-10024	13-30	90445-11M06	8-14	92903-04100	4-17		27-54
90105-08M04	11-76		14-49	90445-11285	17- 8	92903-05100	14-12		27-63
90105-08M10	6-18	90202-12031	13-16	90461-06M00	21- 7		14-20	92990-08200	22-18
90109-06M12	11-21		14-30	90465-11M10	26-16		14-24		22-24
90116-06M08	3-10	90202-34043	12- 4	90467-06016	1- 7	92903-05600	7-43	92990-08600	6-20
90116-06M24	20-23	90206-05005	7-44	90467-08004	8-24		14-13		10- 7
90119-08M18	1-10	90206-08010	7-47	90468-10005	14-16		14-15		11-34
	1-15	90206-12052	10-10	90480-12156	12-23		21-15		11-79
90119-08M20	1- 9	90206-28M07	12- 6	90480-15M06	10- 2	92903-06100	14- 7		15- 5
90123-06049	7-40	90209-06M04	16-30	90480-17M08	21-16	92903-06200	19-18		15-17
90123-06065	12-21	90209-22071	2- 8	90480-22039	22-28	92903-06600	7- 6		15-22
90147-03M00	8-38	90209-47016	11-13	90480-25161	21- 8		7-29		17- 4
90149-06003	16-12	90240-05046	11-49	90480-29045	11- 3		7-35		27-55
90150-04008	1-12	90243-04001	11-22	90501-09M08	13-26		7-46		27-64
90159-05M02	3- 3	90249-04023	16-34		14-39		21-12	92990-10200	11-66
90164-06M01	20-10	90249-05014	14-17	90501-10065	16-53	92903-08600	7-26		11-69
	20-13	90249-06M10	11-44	90501-10071	22-25	92990-04100	4- 7	92990-10600	12-17
90170-06183	12-22	90250-05010	16-51	90501-10227	7-38		5- 7		22-32
90170-07021	13-36	90250-05011	17-10	90501-10264	22-19	92990-04200	4-18	93101-17054	16-59
	14-48	90266-04M00	9-14	90501-14M07	13-25	92990-05100	5-22		27-39
90170-09M03	24- 8	90266-04M01	9-12		14-38		8-44	93101-20048	16-35
90170-09M05	24-13	90269-02001	12-14	90501-23215	12-18		18- 8		27-37
90170-14M06	24-19	90280-05013	18-16	90506-30055	11-51		18-10	93101-25M35	1-34
90179-12M04	18-17		19-19	90510-09M00	7-14	92990-05200	5-24	93102-23096	1-23
	19-14	90340-08014	16- 9	90560-14076	12- 3	92990-05600	13-20		27-18
90185-06062	12-27	90380-12012	11-53	90601-31402	26-18		13-33	93102-25M04	27-22
90185-09M01	24- 4	90386-05002	5-20	90890-44373	6-13		14-44	93104-13M37	1-35
	24-10	90386-08032	12-19		7-10		18-21	93104-14M03	27-23
90185-10051	22-33	90386-10009	13- 9	91490-16010	7-45	92990-06100	20-18	93210-08287	8-13
90185-22043	11-27		14- 8		11-50		20-22		8-19
90201-06M86	13- 3	90386-12M37	10-11		13-21		21- 5	93210-14106	27-38
90201-06050	20- 4	90386-35M01	7-24		14-35	92990-06300	23-24	93210-14167	1-32
90201-06068	10-13	90386-38022	11-15	91490-20010	13-34	92990-06600	1-21		16-37
90201-08M87	10- 5		11-17		14-45		1-31		27-21
90201-08309	7-16	90386-47M22	11-14	91490-30030	17-12		1-39	93210-37M25	8-27
90201-10M20	24- 3	90387-06M02	14- 2	91690-30008	11-38		3- 8		27-29
90201-10M63	24- 6	90387-06M51	13- 2	91690-30012	22-21		3-17	93210-37160	11-16
90201-10M76	24-11	90387-06298	14- 3		22-27		6-23	93210-45161	16-62

NUMERICAL INDEX

Parts No.	Ref. No.	Parts No.	Ref. No.	Parts No.	Ref. No.	Parts No.	Ref. No.	Parts No.	Ref. No.
93210-45161	27-40	97313-06010	7-51	97395-08016	11-80				
93210-57H09	1-36		10-14	97780-40116	26-19				
93210-58H21	27-24	97313-06012	9- 7	97780-50716	3- 4				
93306-20310	16-58		13- 6	97780-50725	16-63				
93306-205U0	16-45		19-17	97801-05025	19- 5				
93306-305U1	2-13		20-21		19-12				
93310-522A4	2- 7		21-11	97802-04008	18-14				
93318-32204	16-38	97313-06014	14- 6	97803-05010	14-23				
93340-18H02	16-42	97313-06016	7- 5	98501-05020	18- 9				
93341-22008	16-40	97313-06020	1-20	98503-04008	4-16				
93390-00009	2-11		7-48	98503-04012	27- 6				
93420-30042	15-24		8-21	98503-05025	18- 7				
	27-66		13- 4	98580-04012	4- 6				
			21-18		5- 6				
93430-04031	5-25								
93430-04301	4-19	97313-06025	3-16	98580-05010	18-20				
93430-06H02	7-21		6-31		23-32				
93430-06024	23-35		7-33	98580-05016	18-11				
93440-62057	2-12		14- 4	98580-05530	8-43				
93450-20026	2-17		20-15	98586-05016	8- 9				
93602-20H02	2-18	97313-06030	20- 5	98680-05525	12-15				
93604-09068	16-61	97313-06035	3-15	98780-05016	16- 8				
93606-12019	1- 8		6-22	98813-03100	8-39				
	11-59		7-28	99009-12400	16-43				
	15- 3	97313-06040	6-32	99080-05600	11-46				
	15-14		7-34	99530-12016	6-21				
	15-19		8-46		7-27				
	17- 1	97313-08025	7-17						
	27-52	97313-08030	6-10						
	27-61	97313-08035	6-19						
93608-12063	11-12		7-25						
93700-06004	11- 5	97375-06028	27-47						
94701-00040	1-40	97375-08030	15- 4						
95303-05600	13-11		15-15						
	14-11		15-20						
	14-18		17- 2						
95303-05700	5-21		27-53						
95303-06600	3- 7		27-62						
	6-24	97375-10040	22-31						
	7-30	97395-06012	22-14						
	7-41	97395-06016	16-15						
	20-19		22-11						
	21-19	97395-06018	11-60						
95303-08600	7-18		23-21						
	8-30	97395-06020	11-63						
95303-08700	6-12		12- 9						
	10- 6		12-26						
95380-06600	23-45	97395-06025	1-30						
95380-08600	11-35		1-38						
95380-08700	10- 8	97395-06028	16-29						
95380-10600	11-70	97395-06030	1-29						
95380-10800	11-71		21- 3						
95380-14700	24-16	97395-06035	21- 4						
97313-05012	21-14	97395-06050	12- 8						



YAMAHA MOTOR CO., LTD.

2500 SHINGAI IWATA-SHI SHIZUOKA-KEN JAPAN

Copyright

All rights reserved.

No part of this publication may be
reproduced without permission.

Printed in Japan

Dec. 1986

176G0-200E1 (英译)

~~186G0-A50E1~~